

Transport technology / Body components / C4 Lite Roller shutter

## C4 Lite Rolling shutter gate

The aluminium rolling shutter gate for the medium weight class





All technical specifications contained in this brochure are approximate and no guarantee is given as to their accuracy. Designs are subject to change.

# C4 Lite Rolling shutter gate

The aluminium rolling shutter gate for the medium weight class

Light, safe, fast, space-saving and payload-optimised - this is how the C4 Lite roller shutter can be opened and closed at the rear of the body in distribution transport or furniture transport. The attractive design also offers the possibility to place advertising messages. The C4 Lite aluminium roller shutter is tried and tested and well thought out.



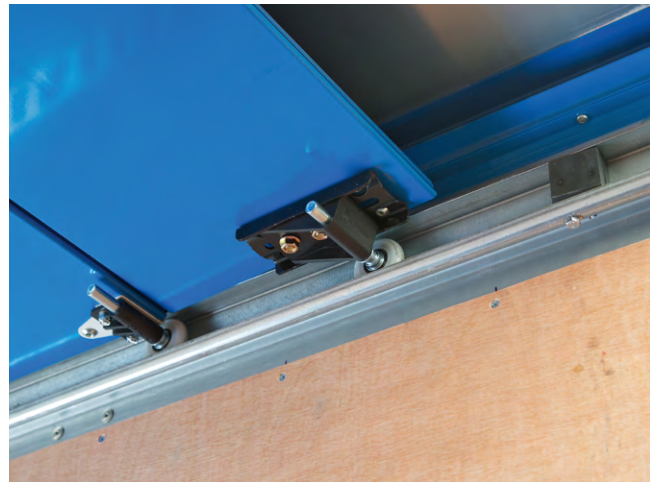
C4 Lite is characterised by its high strength at a low installation depth. It is supplied as a kit and is prepared for quick and easy installation.



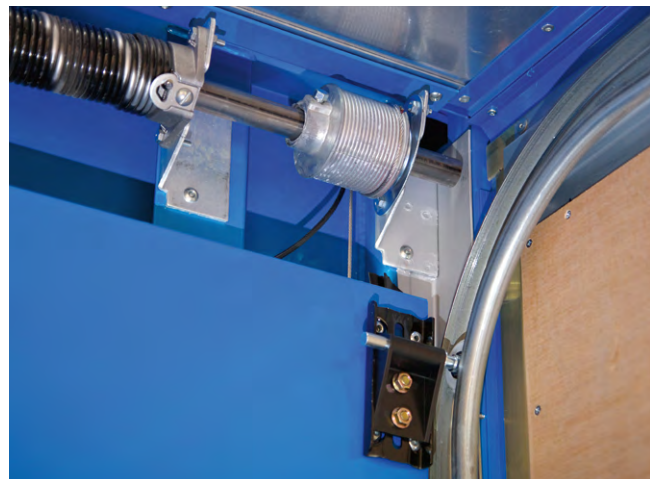
The C4 Lite roller shutter is TÜV-tested to DIN EN 12642 (5000 daN) and can therefore be used in almost all commercial vehicle box bodies and swap bodies. When installed in the GETO Van box body from TITGEMEYER, certification in accordance with DIN EN 12642 Code XL is possible up to a payload of 16000 kg.



The C4 Lite's 50 mm nylon sheathed castors ensure particularly quiet running. The castors are easy to change thanks to internally screwed castor holders.



The innovative and low-maintenance design guarantees quick and easy assembly.



With a panel thickness of only 18 mm and a correspondingly low dead weight, the C4 Lite roller shutter offers very high stability.

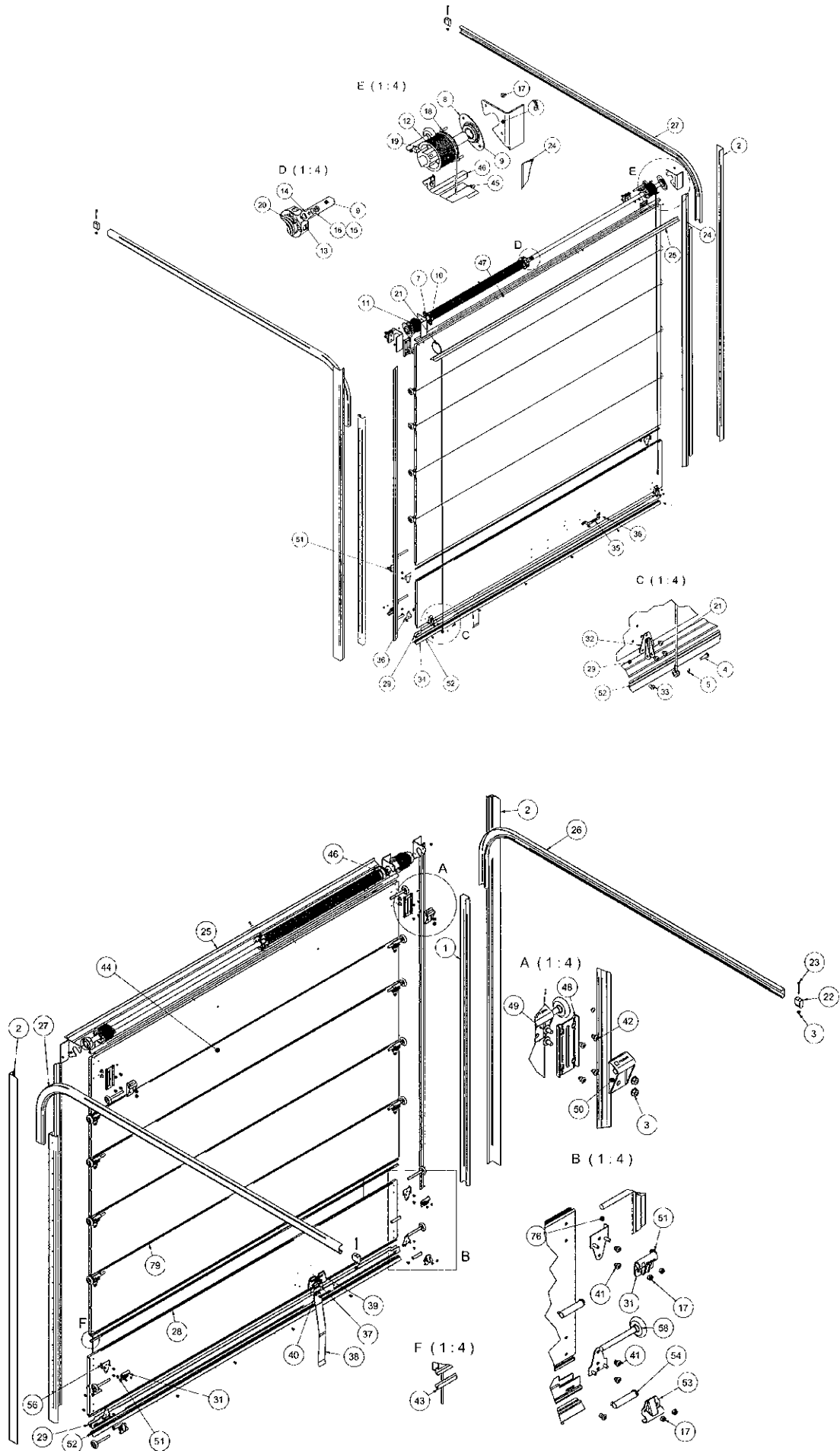


The smooth and weather-resistant large-laminated surface leaves enough space for advertising messages and creative ideas: As advertising space for your own company or for renting out advertising space.



Secure locking is guaranteed by the robust TIR-Maximum lock. It is included as standard and can also be secured with a padlock.





All technical specifications contained in this brochure are approximate and no guarantee is given as to their accuracy. Designs are subject to change.

## C4 Lite rolling shutter gate parts list

Pos.	Description	Length [mm]	Article no.	
			JR I.	TITGEMEYER
1	C-rail 2", galvanised	2091	11012	-
1	C-rail 2", perforated	3191	11033	-
2	L-bracket, 63 x 40 x 3000, left, with console	-	11027	-
2	L-bracket, 63 x 40 x 3000, right, with console	-	11028	-
2	L-bracket, 63 x 40 x 2600, left, with console	-	11029	-
2	L-bracket, 63 x 40 x 2600, right, with console	-	11030	-
3	Self-locking nut M 6, Nyloc, galvanised	-	19059	-
4	Bolt for rope anchor, C4 Lite	-	15029	-
5	Split pin for rope anchor bolt, C4 Lite	-	15030	-
6	Console for spring shaft, right	-	12021	-
7	Console for spring shaft, left	-	12020	-
8	Bearing shell with bearing	-	12004	-
9	Spring shaft, blank	-	12016	-
10	Spring bearing 2", bearing side C4 Lite	-	12023	-
11	Steel cable reel, right, wide	-	12018	588 744 000
12	Steel cable reel, left, wide	-	12017	588 742 000
13	Spring bearing 2", shaft side	-	12022	-
14	Spring holder for spring bearing 2", C4 Lite / Alu Plus / Co.	-	12024	-
16	Screw, FW fuse	-	19043	-
17	Self-locking nut M 6, Nyloc, galvanised	-	19059	-
17	D-rib lock washer M 6	-	19027	-
18	Screw, M 6 x 25 mm, for bracket spring bearing	-	19069	-
19	Locking screw M 10 for cable reel	-	19030	-
20	Spring, 50.8 x 1346 mm, blue	-	12031	-
20	Spring, 50.8 x 885 mm, green	-	12019	-
20	Spring, 50.8 x 713 mm, orange	-	12057	-
21	Single rope stainless, 7 x 7, 110"	-	17008	588 762 000
21	Single rope stainless, 7 x 7, 130"	-	17010	588 763 000
22	Rubber buffer 2"	-	11023	-
23	Screw, M 6 x 55 mm, hexagonal, for rubber buffer	-	19032	-
24	Side seal, C4 Lite	2500	18023	-
24	Side seal, C4 Lite	3000	18033	588 777 000
25	Top seal, C4 Lite	2500	18004	588 772 000
26	Horizontal rail, left 2", 3.7 x 203 mm, 8 "R, yellow	-	11010	-
26	Horizontal rail, left 2", 3.2 x 204 mm, 8 "R, yellow	-	11025	-
27	Horizontal rail, right 2", 3.7 x 203 mm, 8 "R, yellow	-	11011	-
27	Horizontal rail, right 2", 3.2 x 204 mm, 8 "R, yellow	-	11026	-
28	Intermediate panel C4 Lite, 378 x 2500 mm, raw	-	210 002	-
29	Baseboard (Maxi lock), raw, C4 Lite	2500	210 003	-
30	Lateral roll holder, lower part, VA, Ci Lite	-	14009	-
31	Universal roll holder, black, C4	-	14006	-
32	Rope anchor plate, galvanised, C4	-	15013	-
34	Drill screw countersunk head 7504 form, 4.2 x 25, galvanised	-	19085	-
35	Hand grip, narrow, galvanised, mobile	-	15012	-
36	TIBULB Blind rivet A 6,4 x 20,5 ST/ST Fasten. Console FW	-	19101	-
37	Belt holder for webbing, C4	-	16009	-
38	Belt, nylon, black	1200	16010	-
39	Shield identification number JR GmbH	-	15028	-
40	TIBULB Blind rivet 8.8 - 10.8 / ø 6.5 x 16.5 mm	-	19002	-
40	TIBULB Blind rivet A 4.8 x 11.5 S/St	-	19104	-
41	TIBULB Blind rivet 4.8 - 6.8 / ø 6.4 x 12.5 mm	-	19003	-
42	TIBULB Blind rivet 3,4 - 5,4 / ø 6,5 x 10,5 mm	-	19001	-

Pos.	Description	Length [mm]	Article no.	
			JR I.	TITGEMEYER
43	Intermediate seal for C4, PVC	2500	18015	-
44	Intermediate panel C4 Lite, 278 x 2500 mm, raw	-	210 001	-
46	Top moulding, raw, 15 x 15 x 1.5 x 2500 mm	-	210 005	-
47	Blind rivet, 4.8 x 10 mm	-	19061	-
48	Top roll holder, bottom, black, coated	-	14004	-
49	Nut, M 8, Nyloc, hexagonal, for upper roller support	-	19052	-
49	Screw M 8 with square socket, VA	-	19046	-
50	Top roll holder, black, plastic	-	14005	-
51	Spacer ring for castors, C4 Lite	-	13012	-
52	Floor seal C4 Lite, Maxi Lock, duro	2440	18012	-
53	Lateral roll holder, top part, VA, C4	-	14010	-
54	Bearing bush plastic, black, left	-	13015	-
54	Bearing bush, plastic, black, right	-	13014	-
55	Single rope stainless 7 x 7, 125"	-	17009	-
56	Base plate for roll holder right, white, coated	-	14008	-
56	Base plate for roll holder left, white, coated	-	14007	-
58	Castor 2", nylon/galvanised steel	-	13006	-
	Plastic silencer	200	12036	588 823 000
	Ball bearing 1"	-	12028	-
	Hook lock Maxi, galvanised, mobile	-	15010	588 792 000
	Lock securing device for hook lock Maxi, galvanised	-	15011	588 793 000



## Roller shutter type: Aluminium C4 Lite

Operation supported by springs

TITGEMEYER customer number: \_\_\_\_\_ Date: \_\_\_\_\_

Order data for fully assembled roller shutter with panel surface

Exterior selectable  RAL 9010  MB 9147  RAL \_\_\_\_\_  
 Inside bright

MAXI TIR closure  Yes  No

Portal dimensions X = \_\_\_\_\_ mm Y = \_\_\_\_\_ mm H = \_\_\_\_\_ mm  
 R = \_\_\_\_\_ mm S = \_\_\_\_\_ mm

Optional  Electrical drive  
 With remote control  Yes  No

### Special features

---



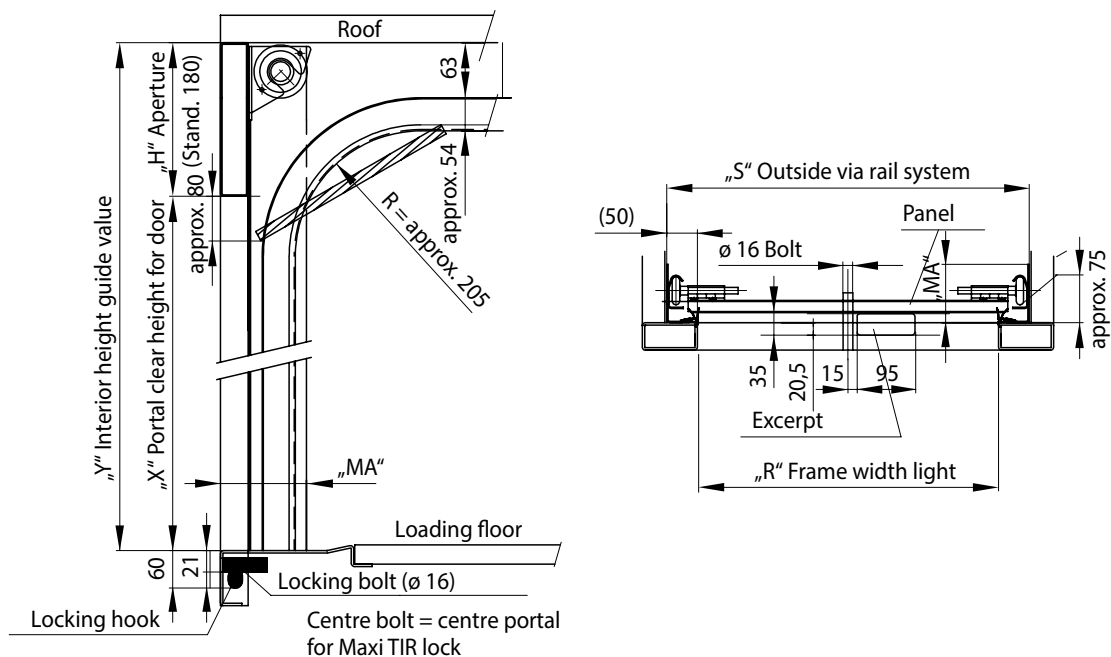
---



---

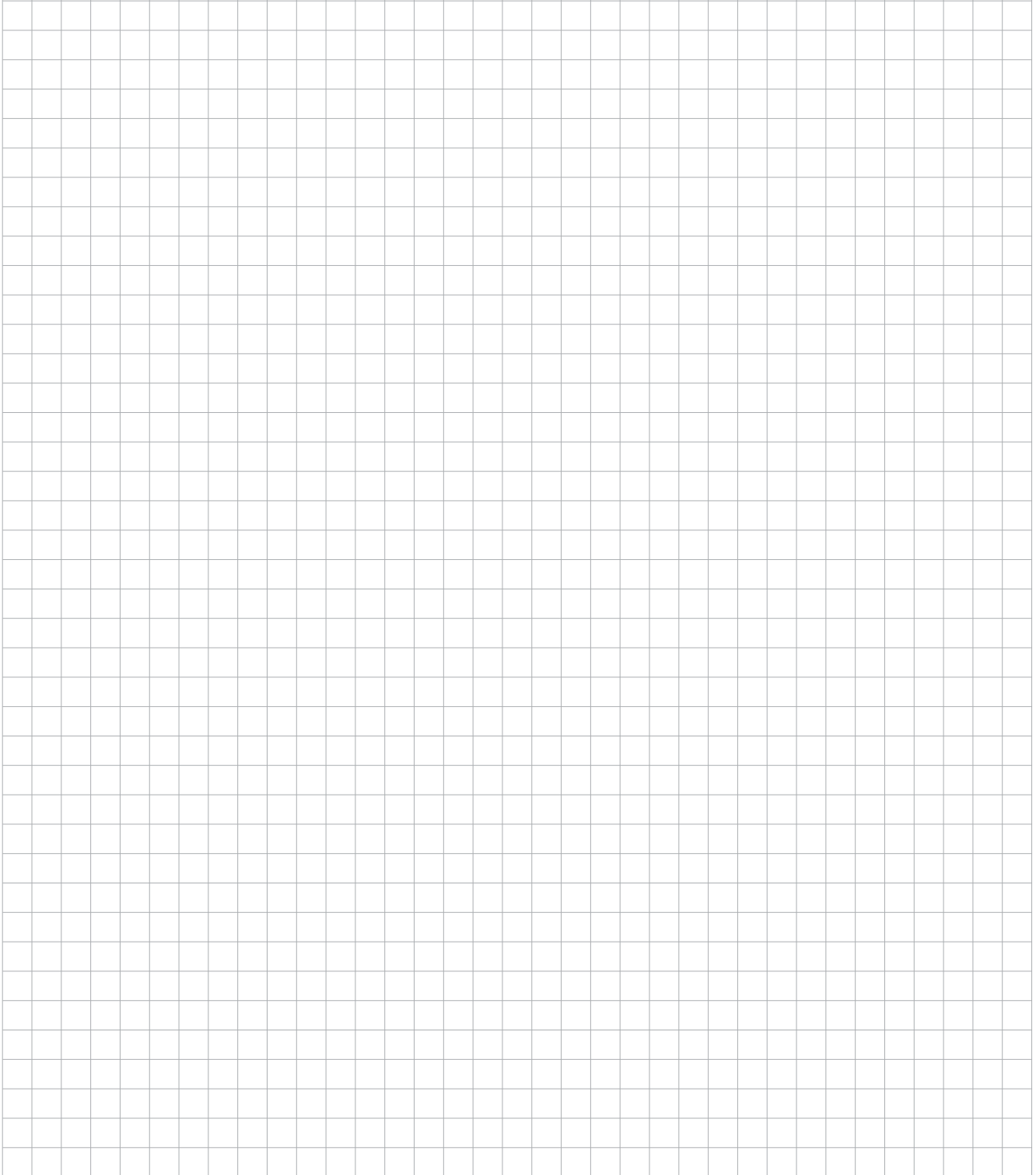


---

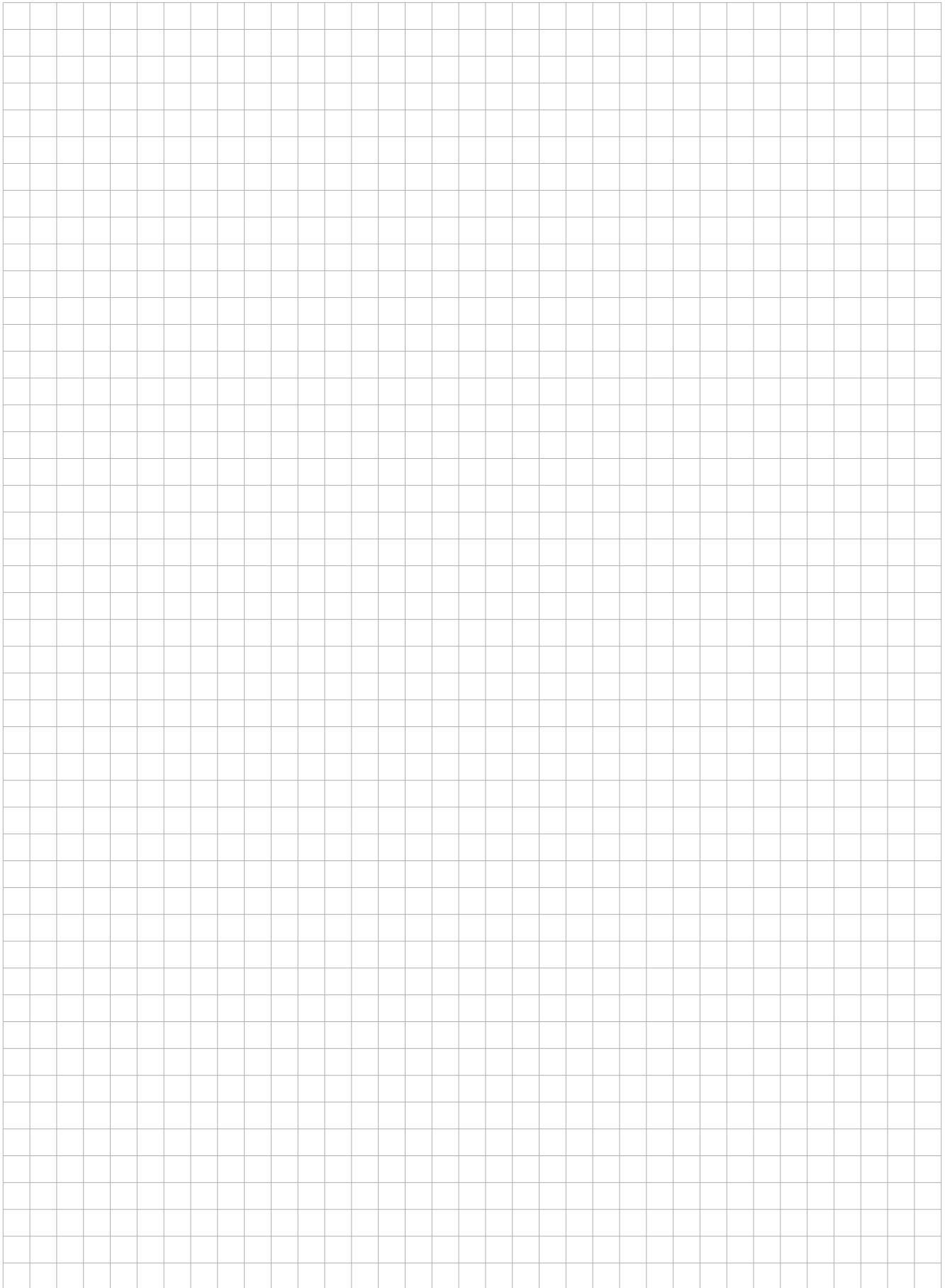


All technical specifications contained in this brochure are approximate and no guarantee is given as to their accuracy. Designs are subject to change.

# Notes



## Notes



All technical specifications contained in this brochure are approximate and no guarantee is given as to their accuracy. Designs are subject to change.

## About us

The Titgemeyer Group is a leading company for fastening technology and vehicle components at 15 locations in Europe.

The traditional company develops, manufactures and sells more than 30,000 fastening elements, tools and vehicle components – in series production and on request.

### Headquarters

**Titgemeyer GmbH & Co. KG**  
Hannoversche Straße 97  
49084 Osnabrück / DE

PO Box 4320  
49033 Osnabrück / DE

T +49 541 5822-0  
E [info@titgemeyer.com](mailto:info@titgemeyer.com)  
W [titgemeyer.com](http://titgemeyer.com)



### Sales locations

**Titgemeyer Austria GmbH**  
Brunner Straße 77 - 79  
1230 Wien / AT

T +43 (0) 1/6 67 90 40 - 0  
E [sales@titgemeyer.com](mailto:sales@titgemeyer.com)  
W [titgemeyer.at](http://titgemeyer.at)

**Titgemeyer CZ spol. s r. o.**  
U Vodárny 1506  
397 01 Pisek / CZ

T +420 382 2067 - 25  
E [sales@titgemeyer.com](mailto:sales@titgemeyer.com)  
W [titgemeyercz.cz](http://titgemeyercz.cz)

**Titgemeyer Polska sp. z o.o.**  
Cypriana Bazylika 17  
98-200 Sieradz / PL

T +48 (0) 43 828 20 - 15  
E [sales@titgemeyer.com](mailto:sales@titgemeyer.com)  
W [titgemeyer.pl](http://titgemeyer.pl)

**Titgemeyer Skandinavien A/S**  
Lunikvej 32  
2670 Greve / DK

T +45 4360 0966  
E [info@titgemeyer.dk](mailto:info@titgemeyer.dk)  
W [titgemeyer.dk](http://titgemeyer.dk)

**Titgemeyer Skandinavien A/S**  
Box 3218  
550 03 Jönköping / SE

T +46 36 128350  
E [info@titgemeyer.se](mailto:info@titgemeyer.se)  
W [titgemeyer.se](http://titgemeyer.se)

**Titgemeyer Turkey Baglanti Teknolojileri San. ve Tic. A.S.**  
Barbaros Mah. Is Merkezi No.1  
Kat: 8 D.58  
34746 Atasehir, Istanbul / TUR

T +90 (0) 21 66 88 20 - 27  
E [sales@titgemeyer.com.tr](mailto:sales@titgemeyer.com.tr)  
W [titgemeyer.com.tr](http://titgemeyer.com.tr)

**Titgemeyer (UK) Limited**  
A2 Link One Industrial Park  
George Henry Road  
DY4 7BU Tipton / UK

T +44 (0) 1 21 5 57 97 - 77  
E [sales@titgemeyer.co.uk](mailto:sales@titgemeyer.co.uk)  
W [titgemeyer.co.uk](http://titgemeyer.co.uk)

### Production sites

**Cirteq Limited**  
'Hayfield' Colne Road,  
Glusburn, Keighley,  
West Yorkshire, BD20 8QP

T +44 1535 633333  
E [sales@cirteq.com](mailto:sales@cirteq.com)  
W [cirteq.com](http://cirteq.com)

**Titgemeyer Tools & Automation spol s.r.o.**  
U Vodárny 1506  
397 01 Pisek / CZ

T +42 382 2067 - 11  
E [info@rivetec.cz](mailto:info@rivetec.cz)  
W [rivetec.cz](http://rivetec.cz)

**RIEKO GmbH**  
Robert-Bosch-Straße 9  
72124 Pliezhausen / DE

T +49 7127 9744 - 0  
E [info@rieko-web.com](mailto:info@rieko-web.com)  
W [rieko-web.com](http://rieko-web.com)

**Titgemeyer GmbH & Co. KG Werk Lotte**  
Daimlerstraße 13 - 15  
49504 Lotte / DE

T +49 5404 9666 - 0  
E [info@titgemeyer.com](mailto:info@titgemeyer.com)  
W [titgemeyer.com](http://titgemeyer.com)

**TS Gesellschaft für Transport- und Sicherungssysteme mbH**  
Haßlinghauser Straße 156  
58285 Gevelsberg / DE

T +49 541 5822 - 900  
E [ts@cargocontrol.de](mailto:ts@cargocontrol.de)  
W [wir-sind-ladungssicherung.de](http://wir-sind-ladungssicherung.de)