

Vehicle Components / Body Components / Lighting

GETO[®] EasyConn DIN- Bajonett / SUPERSEAL

The complete 24 V trailer lighting system
for trailers and trucks



Contents

Chapter	Product Category	Page
GETO® EasyConn lighting system	General description	4
	Pre-manufactured GETO Fender underrun protection system	8
	Pre-manufactured lamps and cable harnesses - GETO EasyConn MODULAR	12
	Pre-manufactured lamps and cable harnesses - GETO EasyConn - the tried-and-tested system	16
	Pre-manufactured cables and distributors - GETO EasyConn - the tried-and-tested system	20
	Pre-manufactured lamps and cable harnesses - GETO EasyConn MODULAR with Flash SMLR (side marker lamps with indicator function in acc. with ECE-R48)	22
	Pre-manufactured lighting and cable harnesses - GETO EasyConn - the tried-and-tested system with Flash-SMLR (side marker lamps with indicator function in acc. with ECE-R48)	24
	Underrun protection components	30
	Lighting components - rear lamps	38
	Lighting components - side lamps	50
	Lighting components - front lamps	52
	Lighting components - cable harnesses	53
	Lighting components - auxiliary distributors	61
	Lighting components - accessories	66
	Plugs and sockets	70

Product index

Numeric

Article No.	p.	Article No.	p.	Article No.	p.	Article No.	p.
409 554 000	36	675 217 005	17	675 556 050	14	675 826 000	61
505 203 000	10	675 217 005	28	675 556 050	17	675 836 000	21
505 203 000	35	675 217 005	45	675 556 050	49	675 836 000	62
505 203 000	8	675 234 000	14	675 564 000	49	675 837 000	14
505 510 625	10	675 234 000	17	675 565 050	14	675 837 000	21
505 510 625	30	675 234 000	28	675 565 050	17	675 837 000	64
505 510 625	32	675 234 000	46	675 565 050	24	675 838 000	14
505 510 625	8	675 364 003	50	675 565 050	28	675 838 000	21
505 656 235	10	675 365 003	14	675 565 050	49	675 838 000	63
505 656 235	30	675 365 003	23	675 764 000	14	675 838 001	14
505 656 235	8	675 365 003	27	675 764 000	21	675 838 001	21
505 668 235	10	675 365 003	50	675 764 000	62	675 838 001	63
505 668 235	11	675 365 013	14	675 772 000	14	675 842 006	13
505 672 235	8	675 365 013	23	675 772 000	21	675 842 006	21
505 672 235	9	675 365 013	27	675 772 000	63	675 842 006	54
602 060 000	34	675 365 013	50	675 812 080	13	675 842 017	13
602 070 000	34	675 365	50	675 812 080	21	675 842 017	21
602 075 230	34	675 368 000	50	675 812 080	55	675 842 017	54
670 710 000	68	675 370 015	14	675 812 100	13	675 852 006	13
670 715 000	68	675 370 015	23	675 812 100	21	675 852 006	21
670 720 000	68	675 370 015	27	675 812 100	55	675 852 006	54
670 725 000	68	675 370 015	51	675 812 130	13	675 852 017	13
670 740 000	69	675 371	51	675 812 130	21	675 852 017	21
670 745 000	69	675 397 000	13	675 812 130	55	675 852 017	54
670 747 000	69	675 397 000	17	675 812 155	13	675 872 035	13
670 748 000	69	675 397 000	18	675 812 155	21	675 872 035	21
675 024 000	41	675 397 000	58	675 812 155	55	675 872 035	53
675 030 000	41	675 397 000	60	675 815 000	21	675 882 035	13
675 032 000	41	675 398 000	65	675 815 000	56	675 882 035	21
675 034 000	41	675 399 000	65	675 817 000	66	675 882 035	53
675 070 000	37	675 460 003	14	675 818 000	66	675 900 000	67
675 070 000	38	675 460 003	17	675 822 090	13	675 914 000	66
675 070 000	39	675 460 003	23	675 822 090	21	675 916 000	66
675 072 000	40	675 460 003	27	675 822 090	55	675 944 000	67
675 074 000	40	675 460 003	52	675 822 115	13	675 946 000	67
675 076 000	40	675 460 050	14	675 822 115	21	675 948 000	67
675 078 000	15	675 460 050	17	675 822 115	55	676 014 000	10
675 078 000	40	675 460 050	23	675 822 150	13	676 014 000	17
675 216 005	14	675 460 050	27	675 822 150	21	676 014 000	41
675 216 005	17	675 460 050	52	675 822 150	55	676 015 000	17
675 216 005	28	675 465 050	14	675 826 000	14	676 015 000	41
675 216 005	45	675 465 050	17	675 826 000	21	676 024 000	10
675 217 005	14	675 465 050	52	675 826 000	59	676 024 000	17

Product index

Article No.	p.	Article No.	p.	Article No.	p.
676 025 000	17	676 365 013	27	676 460 050	27
676 025 000	41	676 365 013	51	676 460 050	52
676 040 000	17	676 365	50	676 565 050	14
676 040 000	43	676 391 100	13	676 565 050	17
676 042 000	17	676 391 100	17	676 565 050	24
676 042 000	43	676 391 100	18	676 565 050	28
676 044 000	17	676 391 100	23	676 565 050	49
676 044 000	44	676 391 100	27	676 612 000	14
676 050 000	14	676 391 100	58	676 612 000	17
676 050 000	37	676 391 100	60	676 612 000	24
676 050 000	8	676 391 120	13	676 612 000	28
676 052 000	14	676 391 120	17	676 612 000	47
676 054 000	24	676 391 120	18	676 612 000	8
676 054 000	39	676 391 120	23	676 830 000	21
676 056 000	17	676 391 120	27	676 830 000	57
676 056 000	42	676 391 120	58	676 833 000	13
676 060 000	14	676 391 120	60	676 833 000	23
676 060 000	37	676 391 160	13	676 833 000	57
676 060 000	8	676 391 160	17	676 835 000	27
676 062 000	14	676 391 160	18	676 835 000	60
676 064 000	24	676 391 160	23	676 840 000	63
676 064 000	39	676 391 160	27	676 842 000	24
676 066 000	17	676 391 160	58	676 842 000	28
676 066 000	42	676 391 160	60	676 842 000	63
676 117 013	10	676 391 210	13	676 844 000	63
676 117 013	14	676 391 210	17	676 846 000	24
676 117 013	17	676 391 210	18	676 846 000	28
676 117 013	24	676 391 210	23	676 846 000	64
676 117 013	28	676 391 210	27	676 848 000	64
676 117 013	48	676 391 210	58	676 914 000	65
676 117 013	8	676 391 210	60	676 916 000	65
676 234 000	14	676 395 000	13	676 920 000	65
676 234 000	17	676 395 000	18		
676 234 000	28	676 395 000	23		
676 234 000	46	676 395 000	27		
676 236 000	10	676 395 000	59		
676 236 000	14	676 395 000	61		
676 236 000	17	676 396 000	13		
676 236 000	28	676 396 000	18		
676 236 000	45	676 396 000	23		
676 237 000	10	676 396 000	27		
676 237 000	14	676 396 000	59		
676 237 000	17	676 396 000	61		
676 237 000	28	676 460 005	14		
676 237 000	45	676 460 005	17		
676 365 005	14	676 460 005	23		
676 365 005	23	676 460 005	27		
676 365 005	27	676 460 005	52		
676 365 005	51	676 460 050	14		
676 365 013	14	676 460 050	17		
676 365 013	23	676 460 050	23		

General description

Cabling systems - The technology that connects

The connector systems

The EasyConn connector system comprises between 2, 7 and 15-pin connectors and receptacles. They have been significantly reduced in diameter to make it easier to connect them to a trailer. SUPERSEAL and 7-pin DIN bayonet connectors can be added as this gives customers even greater flexibility when compiling, retrofitting or converting the lighting system for their trailers. The 15-pin front, main and rear cables are run as before as an integral part of the tried-and-tested EasyConn system. The cabling system enables products to be easily connected to existing, different systems. This not only saves time and adds flexibility but also reduces warehousing costs at retail stores, workshops and fleet operators.

15-pin EasyConn connector

The 15-pin connector and receptacles connect the front adapter, main supply line and rear adapter together.



15-pin EasyConn II connector

The tried-and-tested 15-pin connectors are also available as a set to enable customer-specific needs but also repairs to be easily implemented.



Exploded drawing

15-pin EasyConn II connector

The connectors are IP 6K9K rated and are completely sealed. 6K = dust tight, 9K = protected from high pressure / steam cleaning



General description

Easy and process-safe connection of all components

7-pin DIN bayonet connector*

Our rear and round lamps, as well as third-party products, connect using a 7-pin DIN bayonet connector.



2-pin SUPERSEAL connector

With the 2-pin SUPERSEAL connector, customers can be sure to have a reliable product to connect single function lamps.



Quick-Link

Our Quick-Link clamp: flexible and secure installation of single function lamps to our HELLA flat conductor.



Insert coupler into
flat lead...



...fasten using the
black clamp...

...and press together with
the crimp tool!



General description

Distributor

This cost-effective cable and lighting tool works without a distributor box; the distribution occurs through a rear adapter cable, using the simplified process-reliable EasyConn connection system. The streamlined male and female connector diameters make it easier to connect the lighting to the trailer. The connectors are IP6K9K rated.

Optional add-on functions

To customise your needs and additional functions, you can integrate PG distributors, Y cables, intermediate adapters and the helical main supply cable into the system. These modular cabling options cover virtually every conceivable trailer application.

Security



The entire system, including the cabling and every individual component, are certified to GGVS/ADR. (except for the adapter cables with 7N/7S connectors)

- GGVS (ordinance for the transport of goods by road)
- ADR (European Agreement concerning the International Carriage of Dangerous Goods by Road)

GETO® Fender ECE underrun protection
with partial LED lighting



GETO® Fender ECE underrun function
with lighting



All technical specifications shown are approximate and no guarantee is given as to their accuracy. Designs are subject to change.

Pre-manufactured GETO Fender underrun protection with partial LED lighting

GETO® Fender ECE underrun protection with mounting brackets, fitted with partial LED lighting

Scope of delivery, fully fitted

Underrun protection with two end caps, two multifunctional lamps and flanged contour lighting, plus two registration plate lamps and cables: LED contour, tail, brake and registration plate lamps. All other functions with bulb holders.

optional: One or two additional reversing lamps
Article No. 676 612 000 (page 43)



GETO® fender ECE underrun protection - fully fitted

Description	Material	Finishes	Weight [kg/each]	Article No.
Underrun protection, steel, for all-weight classes	High-strength steel	Powder-coated finish, RAL 9010 white ¹	32.5	505 672 235

¹ Other RAL colours available on request

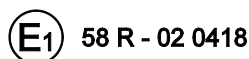
GETO® Fender ECE underrun protection - individual parts

Quantity	Description	Lamp function	Weight [kg/each]	Article No.
1	Underrun protection		29.0	505 656 235
2	End cap		0.11	505 203 000
1	Rear lamp, right	Hybrid	1.97	676 050 000
1	Rear lamp, left	Hybrid	1.97	676 060 000
2	Registration plate lamp	LED	0.16	676 117 013

Accessories for underrun protection

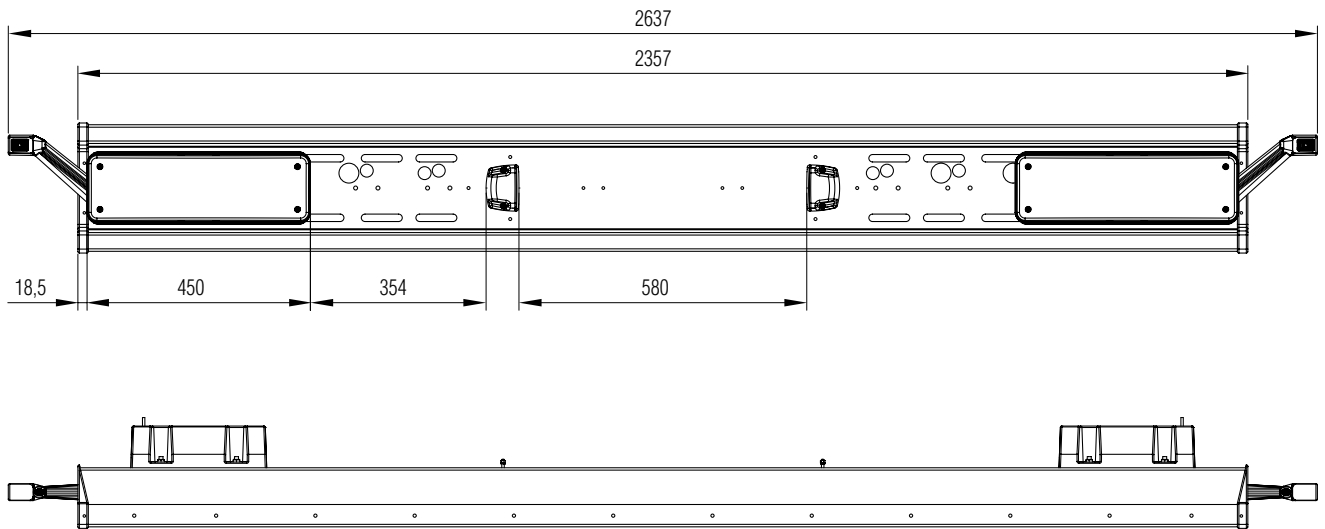
Description	Length [mm]	Material	Finishes	Weight [kg/each]	Article No.
Bracket	625	S 355 MC	KTL-coated, black	7.90	505 510 625

Type approval mark



The surface finish on the underrun protection is added after the hole pattern has been created.

Pre-manufactured GETO Fender underrun protection, with partial LED lighting



GETO Fender ECE underrun protection - fully fitted
(Article No. 505 672 235)

Pre-manufactured GETO Fender underrun protection, with lighting

GETO® Fender ECE underrun protection with mounting brackets and lighting

Scope of delivery, fully fitted

Underrun protection with two end caps, two multi-functional lamps, two LED registration plate lamps and two LED contour lamps, and cables

optional: Two additional reversing lamps
Article No. 676 612 000 (page 43)



GETO® Fender ECE underrun protection - fully fitted

Description	Material	Finishes	Weight [kg/each]	Article No.
Underrun protection, steel, for all weight classes	High-strength steel	Powder-coated finish, RAL 9010 white ¹	32.5	505 668 235

¹ Other RAL colours available on request

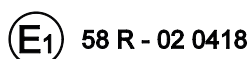
GETO® Fender ECE underrun protection - individual parts

Quantity	Description	Lamp function	Weight [kg/each]	Article No.
1	Underrun protection system		29.0	505 656 235
2	End cap		0.11	505 203 000
1	Rear lamp, right	Bulb	1.14	676 014 000
1	Rear lamp, left	Bulb	1.14	676 024 000
2	Registration plate lamp	LED	0.16	676 117 013
1	Contour lamp, right	LED	0.26	676 236 000
1	Contour lamp, left	LED	0.26	676 237 000

Accessories for underrun protection

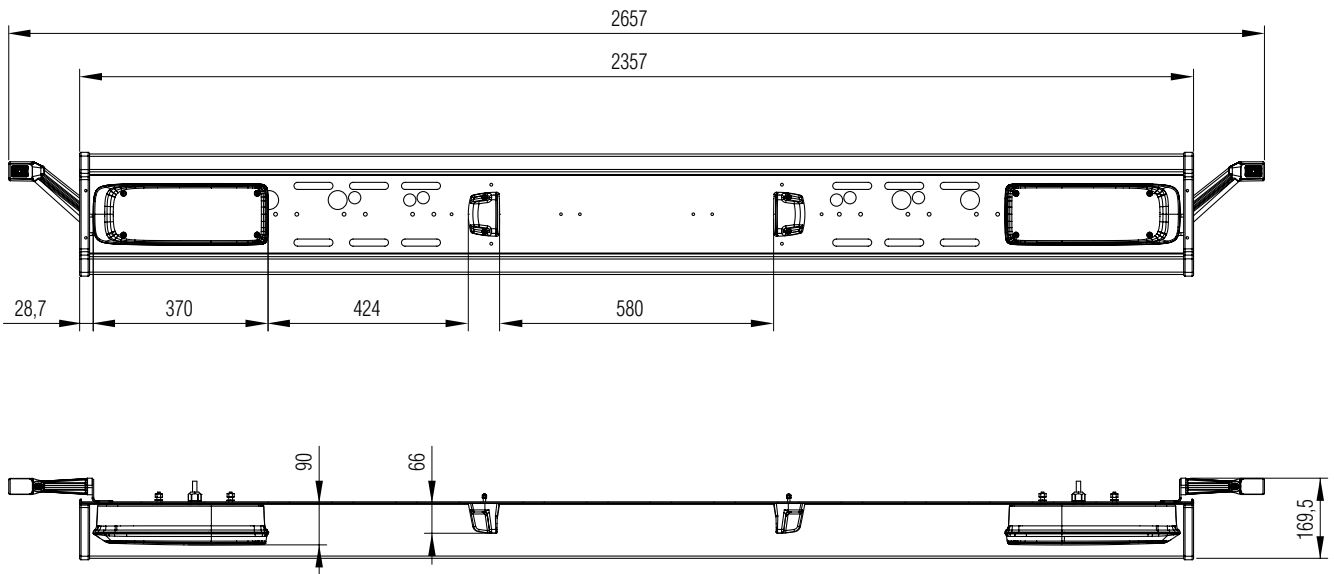
Description	Length [mm]	Material	Finishes	Weight [kg/each]	Article No.
Bracket	625	S 355 MC	KTL coated, black	7.90	505 510 625

Type approval mark



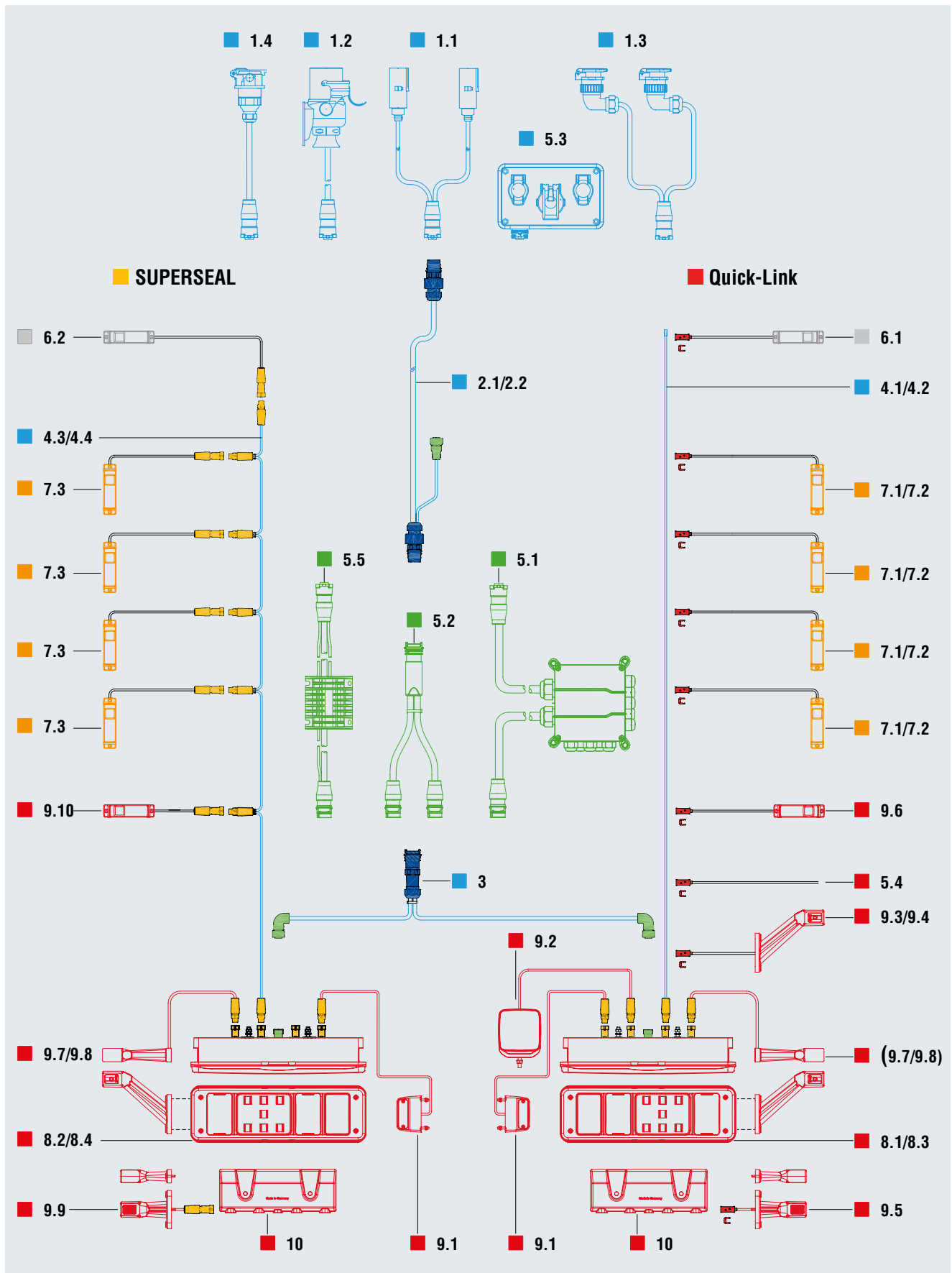
The surface finish on the underrun protection is added after the hole pattern has been created.

Pre-manufactured GETO Fender underrun protection, with lighting



GETO Fender ECE underrun protection - fully fitted (Article No. 505 668 235)

Pre-manufactured lamps and cable harnesses - GETO EasyConn MODULAR



All technical specifications shown are approximate and no guarantee is given as to their accuracy! Designs are subject to change.

Pre-manufactured lamps and cable harnesses – GETO EasyConn MODULAR

System overview GETO® EasyConn

Adapter cables for trailers

Pos.	Description	Cable length [mm]	Weight [kg/each]	Article No.
1.1	Cable 2 x 7 core, with 2 connectors, 7-pin, 7N/7S, ISO 1185/3731	3500	1.90	675 872 035
1.2	Cable 15-core, with 1 connector, 15-pin, ISO 12098	3500	1.75	675 882 035

Adapter cables for semi-trailers

Pos.	Description	Cable length [mm]	Weight [kg/each]	Article No.
1.3	Cable 2 x 7-core, with 2 sockets, 7-pin, 7N/7S, ISO 1185/3731	1700	1.21	675 842 017
		600	1.00	675 842 006
1.4	Cable 15-core, with 1 socket, 15-pin, ISO 12098	1700	1.05	675 852 017
		600	0.70	675 852 006

Adapter cables for semi-trailers

Pos.	Description	Cable length [mm]	Weight [kg/each]	Article No.
2.1	15-core, both sides with 15-pin connectors, one side with additional 2-pin cable outlet, 500 mm, with guard cap	8000	2.65	675 812 080
		10000	4.00	675 812 100
		13000	4.90	675 812 130
		15500	6.50	675 812 155
2.2	8-core, both sides with 15-pin connector, for adapter cables; without outlet for special or additional functions	9000	1.45	675 822 090
		11500	1.78	675 822 115
		15000	2.31	675 822 150

Rear adapter cable

Pos.	Description	Cable length [mm]	Weight [kg/each]	Article No.
3	Rear adapter cable EC 2X DIN B0; 2 x DIN female housing, 7-pin	2000	0.76	676 833 000

Adapter cables for semi-trailers

Pos.	Description	Cable length [mm]	Weight [kg/each]	Article No.
4.1	Connection lead, supplied in rolls, connectors not included	100	-	675 397 000
4.2	Flat lead, 2-core, one SUPERSEAL female housing	10000	0.64	676 391 100
		12000	0.79	676 391 120
		16000	1.03	676 391 160
		21000	1.36	676 391 210

Adapter cables for semi-trailers

Pos.	Description	Cable length [mm]	Weight [kg/each]	Article No.
4.3	SMLR chain, 2-core, 5x SS SUPERSEAL female housing	9600	0.39	676 395 000
4.4	SMLR chain, 2-core, 6x SS SUPERSEAL female housing	12600	0.51	676 396 000

Pre-manufactured lamps and cable harnesses - GETO EasyConn MODULAR

System overview GETO® EasyConn

Auxiliary distributors (optional)

Pos.	Description	Cable length [mm]	Weight [kg/each]	Article No.
5.1	Auxiliary PG distributors	2x500	1.00	675 764 000
5.2	Y cable, 15-pin	2x500	0.30	675 826 000
5.3	Front distributor for semi-trailers	N/A	1.50	675 772 000
5.4	Quick-Link cable, 2-core	1500	0.05	675 838 000
		500	0.05	675 838 001
5.5	Switching device for LED lighting	N/A	5.00	675 837 000

Front lamps (white)

Pos.	Description	Cable length [mm]	Weight [kg/each]	Article No.
6.1	LED front contour lamp, white, Quick-Link	5000	0.25	675 465 050
		300	0.07	675 460 003
		5000	0.30	675 460 050
6.2	LED front contour lamp, white, SUPERSEAL pin housing	450	0.06	676 460 005
		5000	0.22	676 460 050

Side lamps (amber)

Pos.	Description	Cable length [mm]	Weight [kg/each]	Article No.
7.1	LED side marker lamp, built-in version, Quick-Link	1500	0.13	675 370 015
7.2	LED side marker lamp, top-mounted version, Quick-Link	300	0.09	675 365 003
		1300	0.20	675 365 013
7.3	LED side marker lamp, top-mounted version, SUPERSEAL pin housing	450	0.06	676 365 005
		1300	0.09	676 365 013

Rear lamps (red)

Pos.	Description	Cable length [mm]	Weight [kg/each]	Article No.
8.1	Rear lamp with contour lamp, right, partial LED technology	1.74	-	676 050 000
8.2	Rear lamp with contour lamp, left, partial LED technology	1.74	-	676 060 000
8.3	Rear lamp right, partial LED technology	1.48	-	676 052 000
8.4	Rear lamp left, partial LED technology	1.48	-	676 062 000
9.1	LED registration plate lamp	1300	0.16	676 117 013
9.2	Additional LED reversing lamp	500	0.40	676 612 000
9.3	LED contour lamp, red/white/amber, right, Quick-Link	500	0.30	675 216 005
9.4	LED contour lamp, red/white/amber, left, Quick-Link	500	0.30	675 217 005
9.5	LED contour lamp, red/white/amber, short, Quick-Link	500	0.23	675 234 000
9.6	LED rear contour lamp, red, Quick-Link	5000	0.30	675 565 050
		5000	0.22	675 556 050
9.7	LED contour lamp, red/white/amber, right, SUPERSEAL female housing	800	0.26	676 236 000
9.8	LED contour lamp, red/white/amber, left, SUPERSEAL female housing	800	0.26	676 237 000
9.9	LED contour lamp, red/white/amber, short, SUPERSEAL female housing	800	0.24	676 234 000
9.10	LED rear contour lamp, red, SUPERSEAL pin housing	5000	0.22	676 565 050

Pre-manufactured lamps and cable harnesses – GETO EasyConn MODULAR

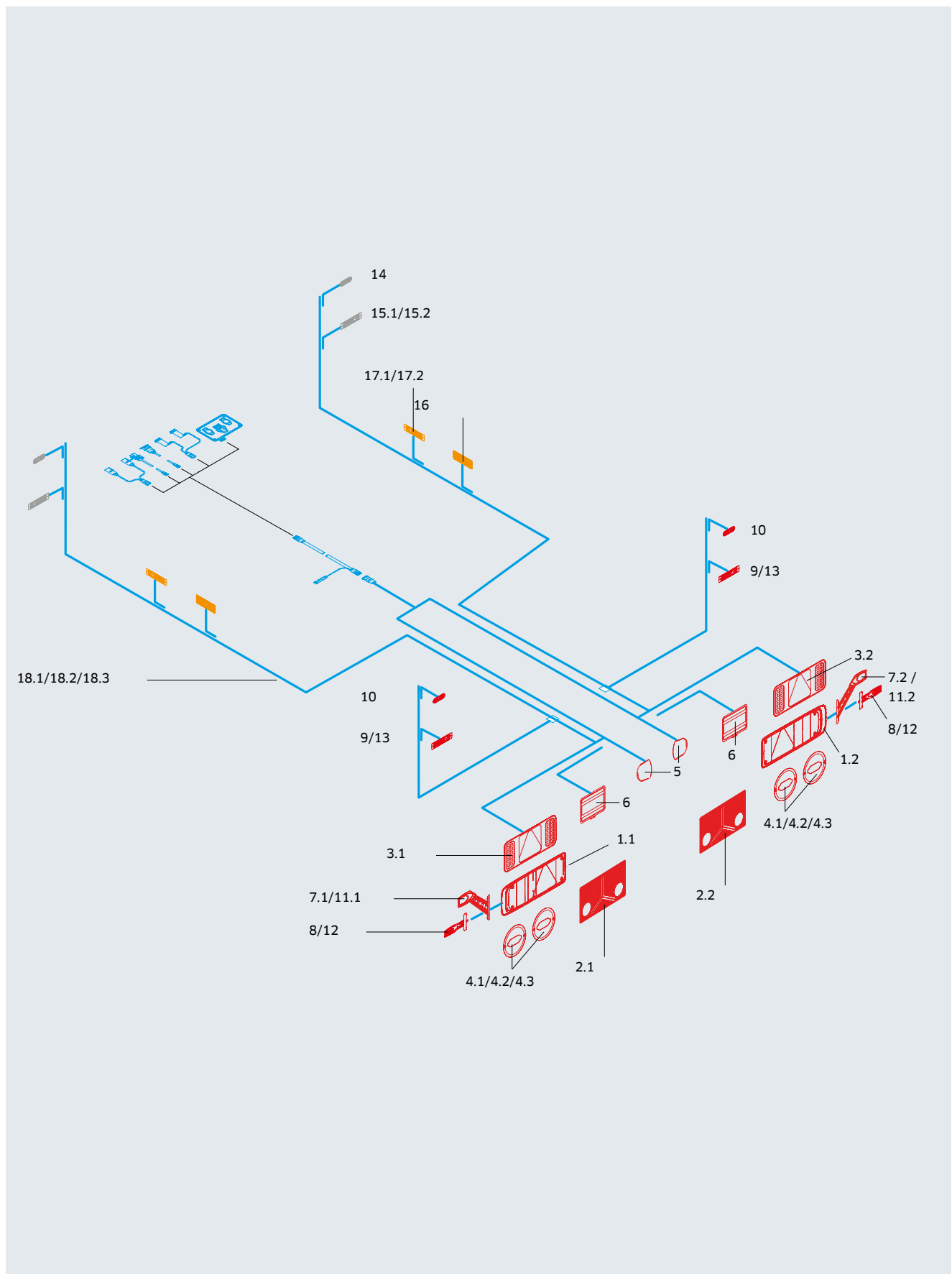
System overview GETO® EasyConn MODULAR

Miscellaneous / Accessories

Pos.	Description	Cable length [mm]	Weight [kg/each]	Article No.
10	Protective housing for MTL rear lamp	-	0.20	675 078 000

Pre-manufactured lamps and cable harnesses

GETO EasyConn - the tried-and-tested system



All technical specifications shown are approximate and no guarantee is given as to their accuracy! Designs are subject to change.

Pre-manufactured lamps and cable harnesses

GETO EasyConn – the tried-and-tested system

Adapter cables for semi-trailers

Pos.	Description	Cable length [mm]	Weight [kg/each]	Article No.
1.2	Rear lamp, right	N/A	1.16	676 014 000
1.1	Rear lamp, left	N/A	1.16	676 024 000
2.2	Compact rear lamp, right	500	1.0	676 015 000
2.1	Compact rear lamp, left	500	1.0	676 025 000
3.2	Full-LED-rear lamp, right	1000	0.9	676 056 000
3.1	Full-LED-rear lamp, left	1000	0.9	676 066 000
4.1	3-chamber round SBBL primary lamp	300	0.5	676 040 000
4.2	3-chamber round SBBL secondary lamp	300/30	0.5	676 042 000
4.3	3-chamber round NES/ZR lamp	800/30/150	0.6	676 044 000
5	LED registration plate lamp	1300	0.16	676 117 013
6	Additional LED reversing lamp	500	0.40	676 612 000
7.2	LED contour lamp, red/white/amber, right, Quick-Link	500	0.30	675 216 005
7.1	LED contour lamp, red/white/amber, left, Quick-Link	500	0.30	675 217 005
8	LED contour lamp, red/white/amber, short, Quick-Link	500	0.23	675 234 000
9	LED rear contour lamp, red, Quick-Link	5000	0.30	675 565 050
10		5000	0.22	675 556 050
11.2	LED contour lamp, red/white/amber, right, SUPERSEAL female housing	800	0.26	676 236 000
11.1	LED contour lamp, red/white/amber, left, SUPERSEAL female housing	800	0.26	676 237 000
12	LED contour lamp, red/white/amber, short, SUPERSEAL female housing	800	0.24	676 234 000
13	LED rear contour lamp, red, SUPERSEAL pin housing	5000	0.22	676 565 050

Front lamps (white)

Pos.	Description	Cable length [mm]	Weight [kg/each]	Article No.
14	LED front contour lamp, white, Quick-Link	5000	0.25	675 465 050
15.1	LED front contour lamp, white, Quick-Link	300	0.07	675 460 003
		5000	0.30	675 460 050
15.2	LED front contour lamp, white, SUPERSEAL pin housing	450	0.06	676 460 005
		5000	0.22	676 460 050

Side lamps (amber)

Pos.	Description	Cable length [mm]	Weight [kg/each]	Article No.
16	LED side marker lamp, built-in version, Quick-Link	100000	5.00	675 397 000
17.1	LED side marker lamp, top-mounted version, Quick-Link	10000	0.64	676 391 100
		12000	0.79	676 391 120
17.2	LED side marker lamp, top-mounted version, SUPERSEAL pin housing	16000	1.03	676 391 160
		21000	1.36	676 391 210

Pre-manufactured lamps and cable harnesses

GETO EasyConn – the tried-and-tested system

Flat lead 2-pin for SMLR, additional front and rear lamps

Pos.	Description	Cable length [mm]	Weight [kg/each]	Article No.
18.1	Connection lead, supplied in rolls, connectors not included	100000	5.00	675 397 000
18.2	Flat lead, 2-core, one SUPERSEAL female housing	10000	0.64	676 391 100
		12000	0.79	676 391 120
		16000	1.03	676 391 160
		21000	1.36	676 391 210

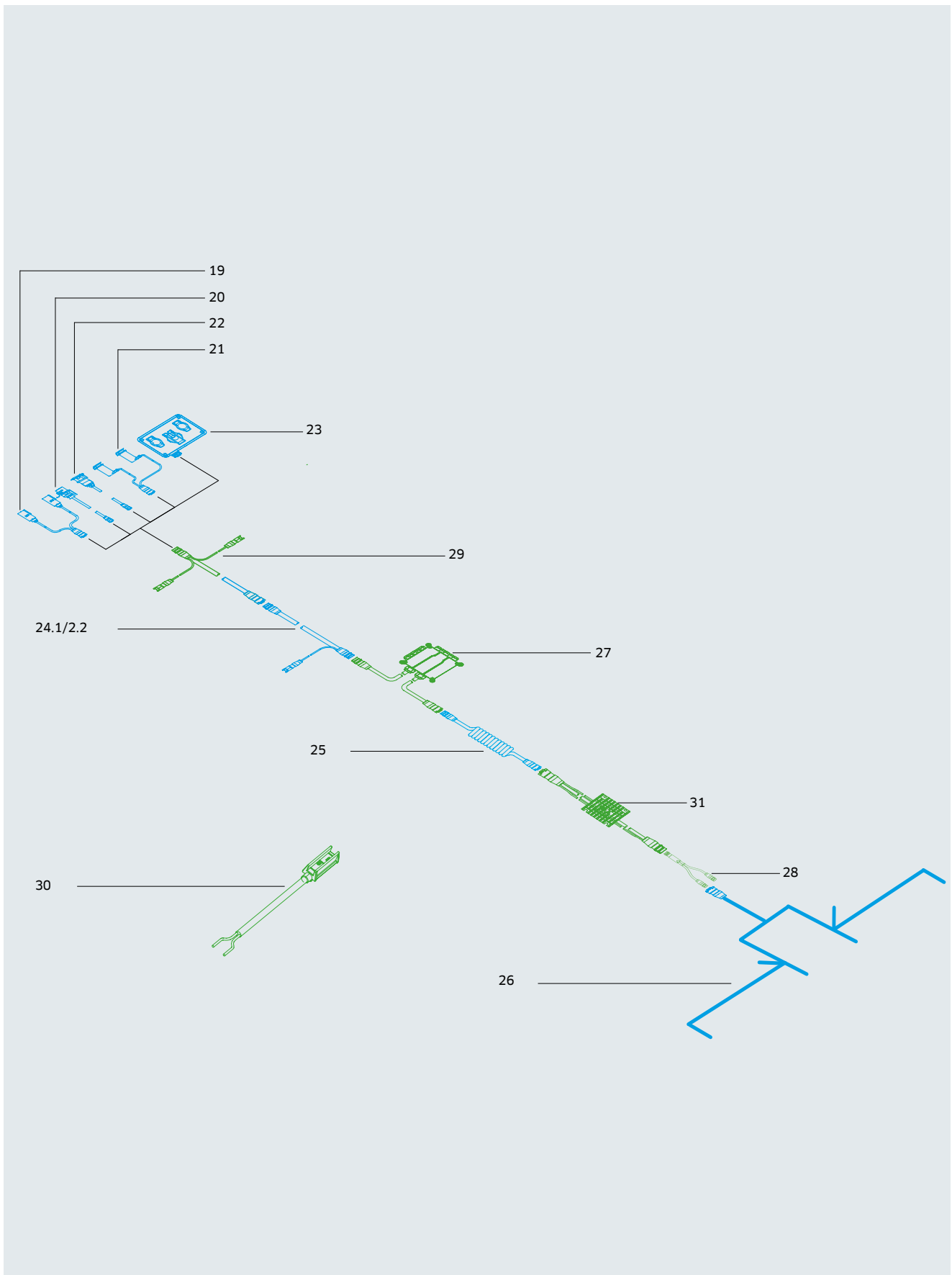
SMLR chain, 2-core for SMLR, additional front and rear lamps

Pos.	Description	Cable length [mm]	Weight [kg/each]	Article No.
18.3	SMLR chain 2-core, 5x SS SUPERSEAL female housing	9600	0.39	676 395 000
	SMLR chain 2-core, 6x SS SUPERSEAL female housing	12600	0.51	676 396 000

Main supply cables and adapter cables from page 49 onwards

All technical specifications shown are approximate and no guarantee is given as to their accuracy/ Designs are subject to change.

Pre-manufactured lamps and cable harnesses - GETO EasyConn - the tried-and-tested system



All technical specifications shown are approximate and no guarantee is given as to their accuracy! Designs are subject to change.

Pre-manufactured lamps and cable harnesses – GETO EasyConn – the tried-and-tested system

Adapter cables for trailers

Pos.	Description	Cable length [mm]	Weight [kg/each]	Article No.
19	Cable 2 x 7-core, with 2 connectors, 7-pin, 7N/7S, ISO 1185/3731	3500	1.90	675 872 035
20	Cable 15-core, with 1 connector, 15-pin, ISO 12098	3500	1.75	675 882 035

Front lamps (white)

Pos.	Description	Cable length [mm]	Weight [kg/each]	Article No.
21	Cable 2 x 7-core, with 2 sockets, 7-pin, 7N/7S, ISO 1185/3731	1700	1.21	675 842 017
		600	1.00	675 842 006
22	Cable 15-core, with 1 socket, 15-pin, ISO 12098	1700	1.05	675 852 017
		600	0.70	675 852 006
23	Front distributor	N/A	1.5	675 772 000

Front lamps (white)

Pos.	Description	Cable length [mm]	Weight [kg/each]	Article No.
24.1	15-core, both sides with 15-pin connector, one side with additional 2-pin cable outlet, 500 mm, with guard cap	800	2.65	675 812 080
		10000	4.00	675 812 100
		13000	4.90	675 812 130
		15500	6.50	675 812 155
24.2	8-core, both sides with 15-pin connector, for adapter cables; without cable output, for special or additional functions	9000	1.45	675 822 090
		11500	1.78	675 822 115
		15000	2.31	675 822 150

Helical main supply cable (optional)

Pos.	Description	Cable length [mm]	Weight [kg/each]	Article No.
25	8-core, one side with 15-pin connector, other side with 15-pin female connector	3000	2.0	675 815 000

Helical main supply cable (optional)

Pos.	Description	Weight [kg/each]	Article No.
26	With female connector to connect main supply cable, 2 connectors, 7-pin, 2 x 3 SS-pin housing, 2-pin	0.8	676 830 000

Auxiliary distributor (optional)

Pos.	Description	Cable length [mm]	Weight [kg/each]	Article No.
27	Auxiliary PG distributor	2x500	1.0	675 764 000
28	Y cable, 15-pin	2x500	0.3	675 826 000
29	Intermediate adapter, 2 x additional reversing lamp function	500	0.5	675 836 000
30	Quick-Link cable, 2-core	1500	0.05	675 838 000
		500	0.05	675 838 001
31	Switching device for LED lamps	-	5.0	675 837 000

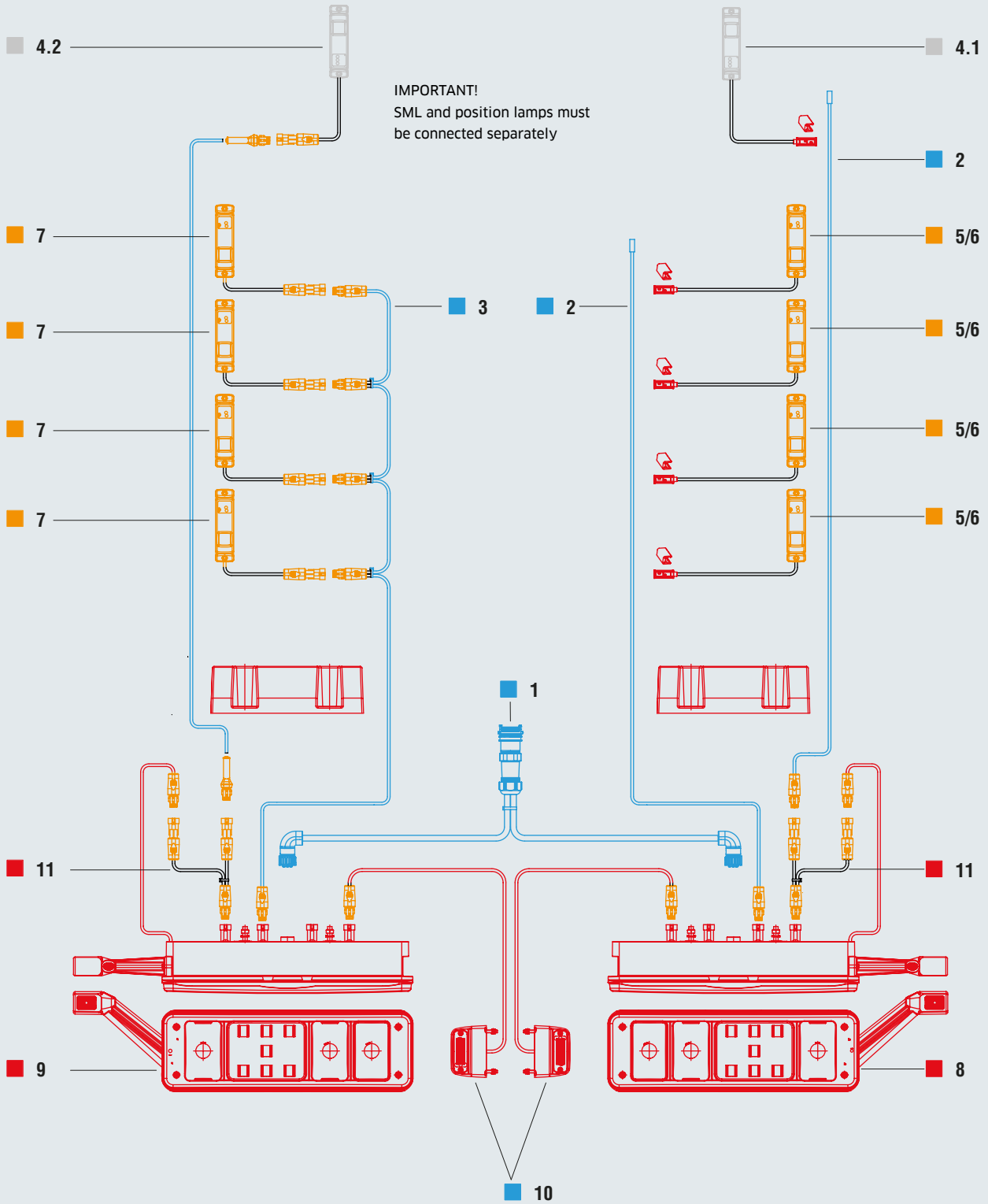
Pre-manufactured cable feed and distributor GETO EasyConn - MODULAR



with Flash SMLR (flashing side marker lamps in acc. with ECE-R48)

SUPERSEAL

Quick-Link



All technical specifications shown are approximate and no guarantee is given as to their accuracy! Designs are subject to change.

Pre-manufactured cable feed and distributor

GETO Easy- Conn – MODULAR

System overview GETO® EasyConn – MODULAR
with Flash SMLR (side marker lamps with indicator
function in acc. with ECE-R48)

Rear adapter cables

Pos.	Description	Cable length [mm]	Weight [kg/each]	Article No.
1	Rear adapter cable EC 2X DIN BG; 2 x DIN female housing, 7-pin	2000	0.76	676 833 000

Flat lead, 2-core for SMLR, additional front and rear lamps

Pos.	Description	Cable length [mm]	Weight [kg/each]	Article No.
2	Flat lead, 2-core, one SUPERSEAL female housing	10000	0.64	676 391 100
		12000	0.79	676 391 120
		16000	1.03	676 391 160
		21000	1.36	676 391 210

SMLR chain, 2-core for SMLR, additional front and rear lamps

Pos.	Description	Cable length [mm]	Weight [kg/each]	Article No.
3	SMLR chain 2-core, 5x SS SUPERSEAL female housing	9600	0.39	676 395 000
3	SMLR chain 2-core, 6x SS SUPERSEAL female housing	12600	0.51	676 396 000

Front lamps (white)

Pos.	Description	Cable length [mm]	Weight [kg/each]	Article No.
4.1	LED front contour lamp, white, Quick-Link	300	0.07	675 460 003
		5000	0.30	675 460 050
4.2	LED front contour lamp, white, SUPERSEAL pin housing	450	0.06	676 460 005
		5000	0.22	676 460 050

Side lamps (amber)

Pos.	Description	Cable length [mm]	Weight [kg/each]	Article No.
5	LED side marker lamp, top-mounted version, Quick-Link	300	0.06	675 365 003
		1300	0.2	675 365 013
6	LED side marker lamp, built-in version, Quick-Link	1500	0.09	675 370 015
7	LED side marker lamp, top-mounted version, SUPERSEAL pin housing	450	0.06	676 365 005
		1300	0.09	676 365 013

Pre-manufactured cable feed and distributor

GETO Easy- Conn – MODULAR

System overview GETO® EasyConn – MODULAR
with Flash SMLR (side marker lamps with
indicator function in acc. with ECE-R48)
Adapter cables for trailers

Rear adapter cable

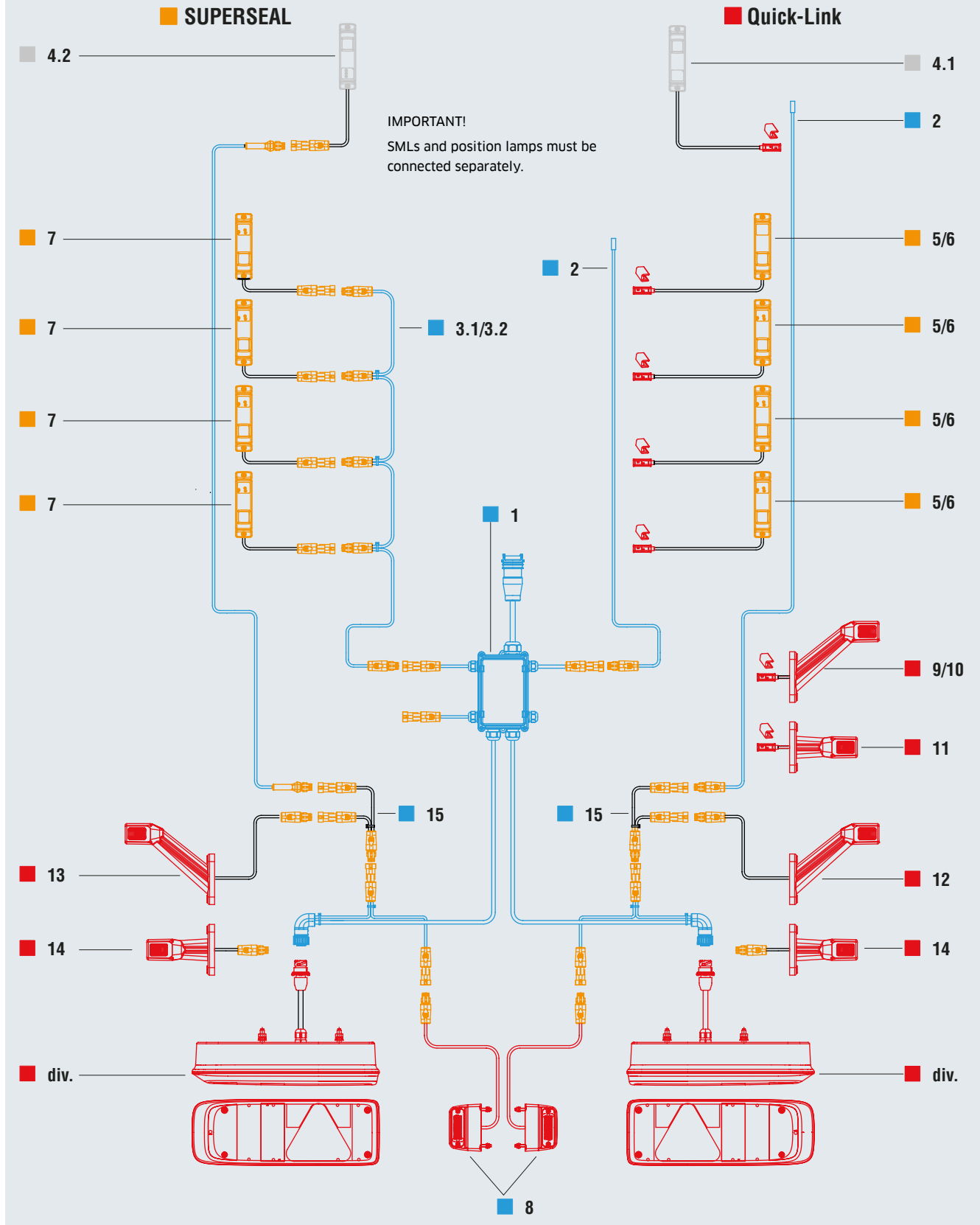
Pos.	Description	Cable length [mm]	Weight [kg/each]	Article No.
8	LAMP SDRBBLNESZRURL, right, 24V ENC with indicator lamp control	-	1.75	676 054 000
9	LAMP SDRBBLNESZRURL, left, 24V-ENC with indicator lamp control	-	1.75	676 064 000
10	LED registration plate lamp SUPERSEAL	1300		676 117 013
-	LED rear contour lamp, red, Quick-Link	5000	0.3	675 565 050
-	LED rear contour lamp, red, SUPERSEAL pin housing	5000	0.22	676 565 050
11	Y adapter, 2-core, 2SS pin 1SS female connector	150	0.06	676 842 000
-	Additional LED reversing lamp Q90	500		676 612 000
-	Adapter piece for additional reversing lamp Q90	2000		676 846 000

All technical specifications shown are approximate and no guarantee is given as to their accuracy/ Designs are subject to change.

Pre-manufactured cable feed and distributor GETO EasyConn - the tried-and-tested system



with Flash SMLR (side marker lamps with indicator function in acc. with ECE-R48)



All technical specifications shown are approximate and no guarantee is given as to their accuracy! Designs are subject to change.

Pre-manufactured cable feed and distributor

GETO EasyConn – the tried-and-tested system

System overview GETO® EasyConn – MODULAR
with Flash SMLR (side marker lamps with
indicator function in acc. with ECE-R48)

Rear distributor

Pos.	Description	Cable length [mm]	Weight [kg/each]	Article No.
1	Distributor box Flash SMLR DIN SS; 2 x DIN female housing, 7-pin	2000/500	1.52	676 835 000

Flat lead, 2-core for SMLR, additional front and rear lamps

Pos.	Description	Cable length [mm]	Weight [kg/each]	Article No.
2	Flat lead, 2-core, one SUPERSEAL female housing	10000	0.64	676 391 100
		12000	0.79	676 391 120
		16000	1.03	676 391 160
		21000	1.36	676 391 210

SMLR chain, 2-core for SMLR, additional front and rear lamps

Pos.	Description	Cable length [mm]	Weight [kg/each]	Article No.
3.1	SMLR chain, 2-core, 5x SS SUPERSEAL female housing	9600	0.39	676 395 000
3.2	SMLR chain, 2-core, 6x SS SUPERSEAL female housing	12600	0.51	676 396 000

Front lamps (white)

Pos.	Description	Cable length [mm]	Weight [kg/each]	Article No.
4.1	LED front contour lamp, white, Quick-Link	300	0.07	675 460 003
		5000	0.30	675 460 050
4.2	LED front contour lamp, white, SUPERSEAL pin housing	450	0.06	676 460 005
		5000	0.22	676 460 050

Side lamps (amber)

Pos.	Description	Cable length [mm]	Weight [kg/each]	Article No.
5	LED side marker lamp, top-mounted version, Quick-Link	300	0.06	675 365 003
		1300	0.2	675 365 013
6	LED side marker lamp, built-in version, Quick-Link	1500	0.09	675 370 015
7	LED side marker lamp, top-mounted version, SUPERSEAL pin housing	450	0.06	676 365 005
		1300	0.09	676 365 013

Pre-manufactured cable feed and distributor

GETO Easy- Conn – MODULAR

System overview GETO® EasyConn – MODULAR
with Flash SMLR (side marker lamps with
indicator function in acc. with ECE-R48)

Rear lamps (red)

Pos.	Description	Cable length [mm]	Weight [kg/each]	Article No.
-	Various standard multi-chamber rear lamps	-	-	-
8	LED registration plate lamp SUPERSEAL	1300		676 117 013
9	LED contour lamp, red/white/amber, right, Quick-Link	500		675 216 005
10	LED contour lamp, red/white/amber, left, Quick-Link	500		675 217 005
11	LED contour lamp, red/white/amber, short, Quick-Link	500		675 234 000
12	LED contour lamp, red/white/amber, right, SUPERSEAL female housing	800	0.26	676 236 000
13	LED contour lamp, red/white/amber, left, SUPERSEAL female housing	800	0.26	676 237 000
14	LED contour lamp, red/white/amber, short, SUPERSEAL female housing	800	0.24	676 234 000
-	LED rear contour lamp, red, Quick-Link	5000	0.3	675 565 050
-	LED rear contour lamp, red, SUPERSEAL pin housing	5000	0.22	676 565 050
15	Y adapter, 2-core, 2SS pin 1SS female connector	-	0.06	676 842 000
-	Additional LED reversing lamp Q90	500		676 612 000
-	Adapter piece for additional reversing lamp Q90	2000		676 846 000

All technical specifications shown are approximate and no guarantee is given as to their accuracy/ Designs are subject to change.

Underrun protection device with hole pattern

GETO® Fender ECE-type underrun protection system with hole pattern for EasyConn lighting and wiring system

- Self-installation of lighting and wiring system
- The surface treatment is applied after the holes have been drilled

Items supplied: Underrun protection system



GETO® Fender ECE-type underrun protection system - with hole pattern -

Description	Material	Finish	Weight [kg/each]	Article No.
Underrun protection, steel	High-strength steel	Final powder coat in white RAL 9010 ¹	29.0	505 656 235

¹ Other RAL colours available on request

Underrun protection system accessories

Description	Length [mm]	Material	Finish	Weight [kg/each]	Article No.
Bracket (see page 28)	625	S 355 MC	KTL-coated, black	7.90	505 510 625

The hole pattern on the underrun is suitable for fitting all of the rear lamps and mounting brackets shown.

Type approval sign



58 R - 02 0418

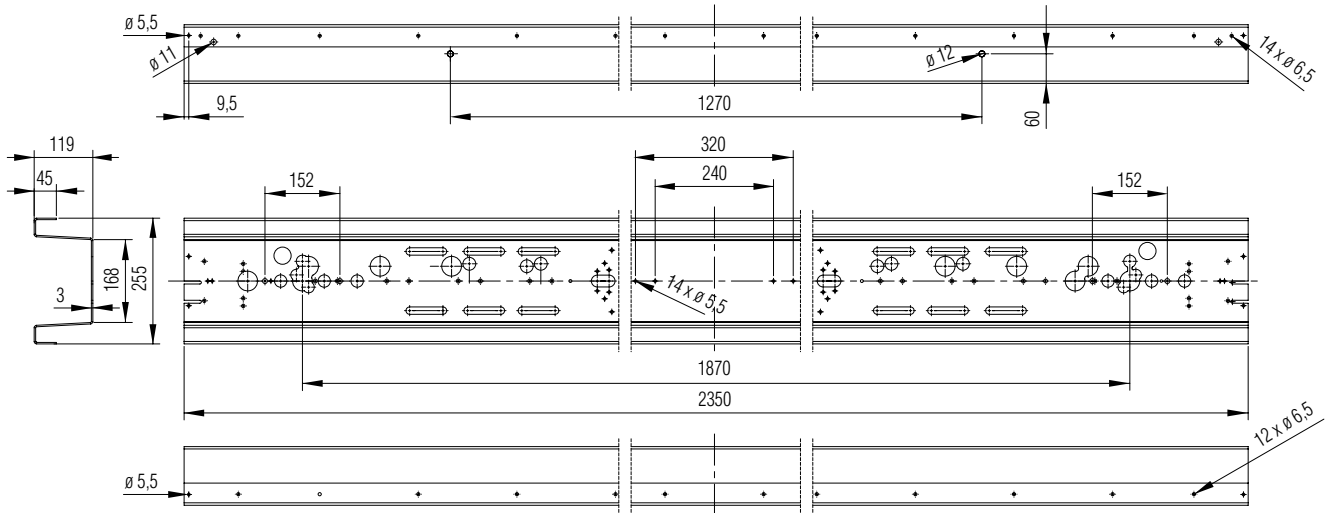
pursuant to Regulation ECE-R 582

The underrun protection surface finish is applied after the holes have been drilled.

² The type approval sign applies only to the device as a whole (i.e. the support with brackets).

Underrun protection device with hole pattern

Hole pattern for underrun protection system

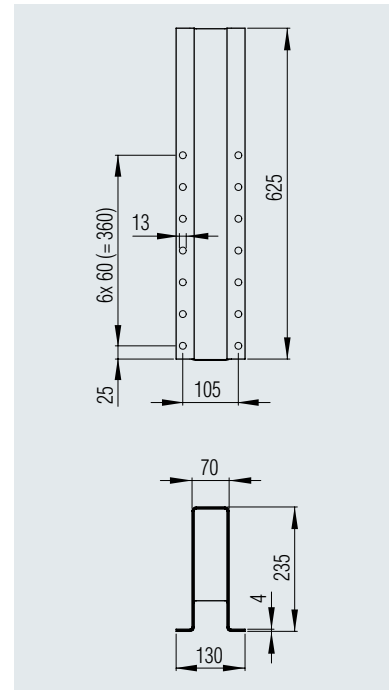


All technical specifications shown are approximate and no guarantee is given as to their accuracy/ Designs are subject to change.

Underrun components

Brackets for underrun protection system

Brackets for attaching the chassis to the underrun protection system



GETO® Fender ECE-type underrun protection system - with hole pattern -

Description	Length [mm]	Material	Finish	Weight [kg/each]	Article No.
Bracket	625	S 355 MC	KTL-coated, black	7.90	505 510 625

¹ Other finishes available on request

Underrun components

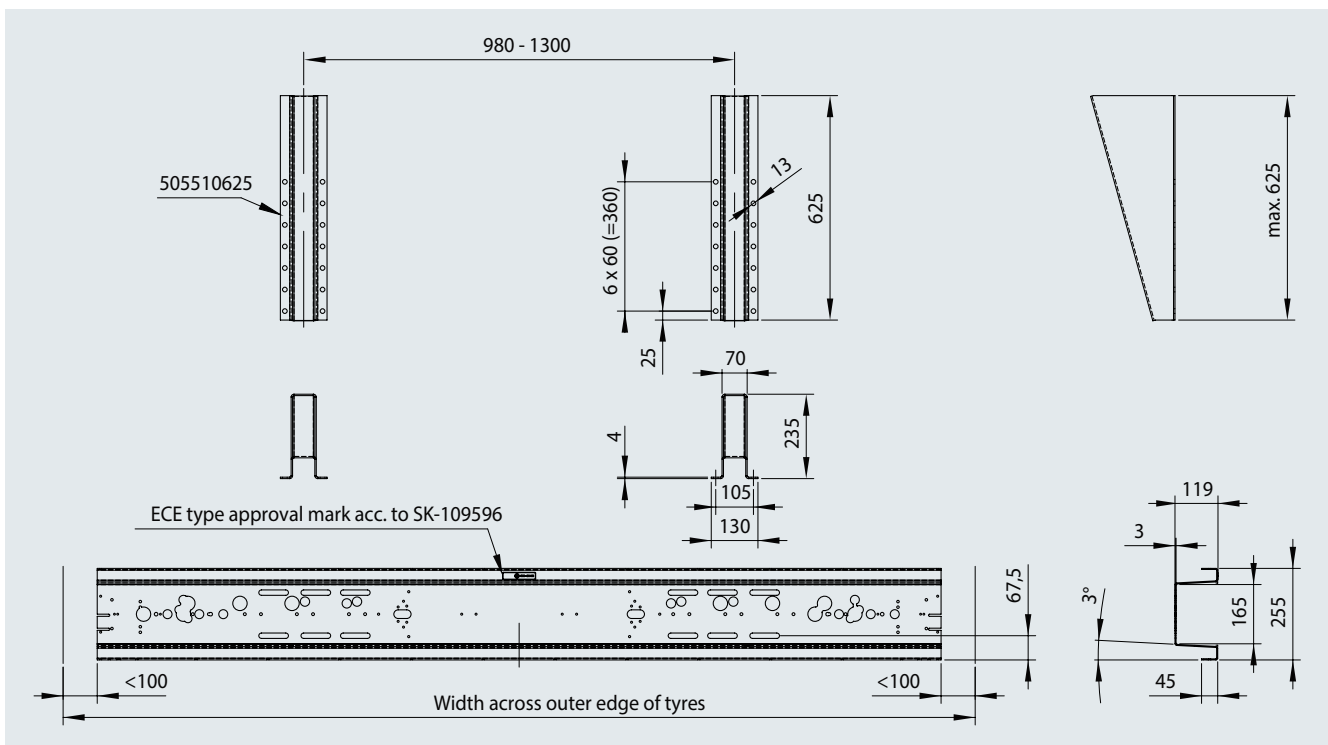
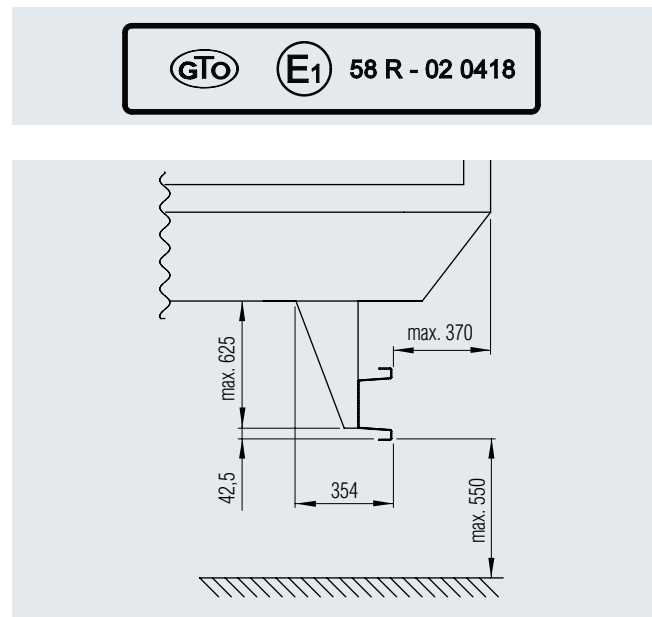
Brackets for underrun protection system

Hole pattern for underrun protection system

TITGEMEYER rear underrun protection devices are tested and approved as free-standing technical items in accordance with Regulation ECE-R 58 for vehicles with a total mass (total weight) of up to 60 tonnes. Corresponding type approval marks have been issued by the KBA (German motor transport authority).

We will be pleased to provide copies of the expert reports on request. Each device consists of one support, two brackets and two support end-caps. The supports carry the mark of approval in the form of a self-adhesive sign covered with protective film.

The type approval sign applies only to the device as a whole - i.e. the support with brackets!



All technical specifications shown are approximate and no guarantee is given as to their accuracy. Designs are subject to change.

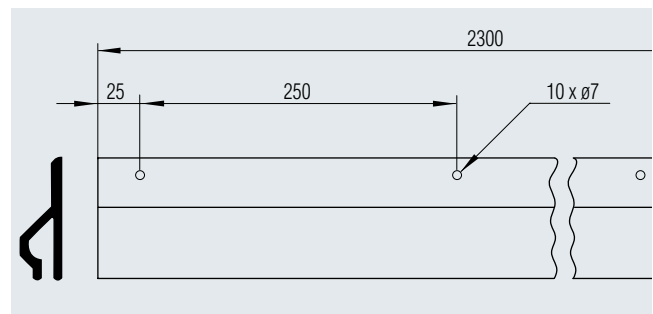
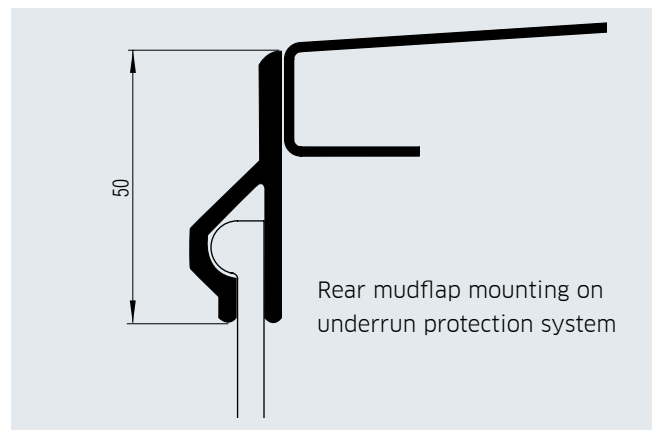
Underrun components

Rear mudflaps for underrun protection system



Rear mudflap for underrun protection system

- The rear mudflap is made of a synthetic material that does not distort and remains flexible
- The outer surface is dirt repelling and can withstand high pressure cleaning
- Your logo can be added on request
- How to install the underrun protection system:
Insert the mounting frame with rear mud flap and screw or rivet to the lower rail of the steel underrun protection system



Rear mudflap for underrun protection system

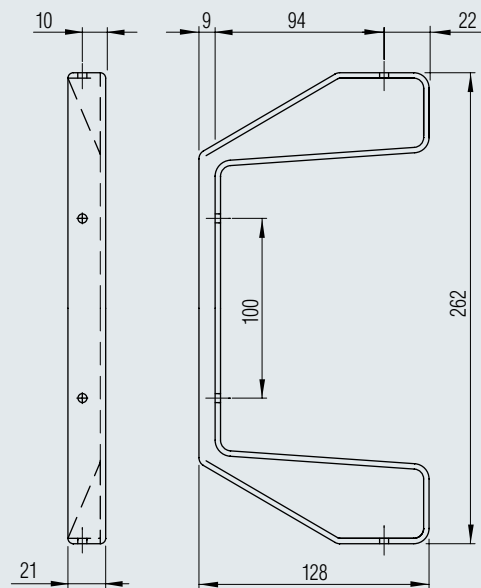
Description	Length x height [mm]	Material	Finish	Weight [kg/each]	Article No.
Rear mudflap, neutral	2300 x 380	Plastic	Black	3.5	602 060 000
Rear mudflap with traffic signs	2300 x 380	Plastic	Black	3.5	602 070 000
Mounting rail	2300 x 50	Plastic	Black	0.5	602 075 230

Underrun components

End caps for underrun protection system

End cap for underrun protection system

Items supplied:	One end cap (Article No. 505 201 000), packed in a polythene bag, fastener elements included, four TIFAS expanding shank rivets, \varnothing 5 mm, shank length 8.5 mm (see page 32, Article No. 409 554)
Material and colour:	Plastic end cap, PA 6, black TIFAS expanding shank rivets PA 6.6 A 3 K, black
Weight:	approx. 0.11 kg/each
Article No.:	505 203 000



Wall thickness: approx. 3 mm
Perimeter of outer radius: R 3
All holes: \varnothing 5.05 mm

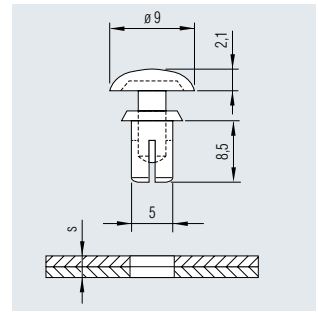
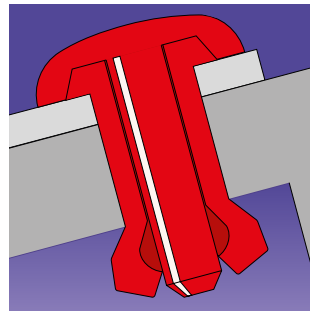
Underrun components

Fasteners for underrun protection system

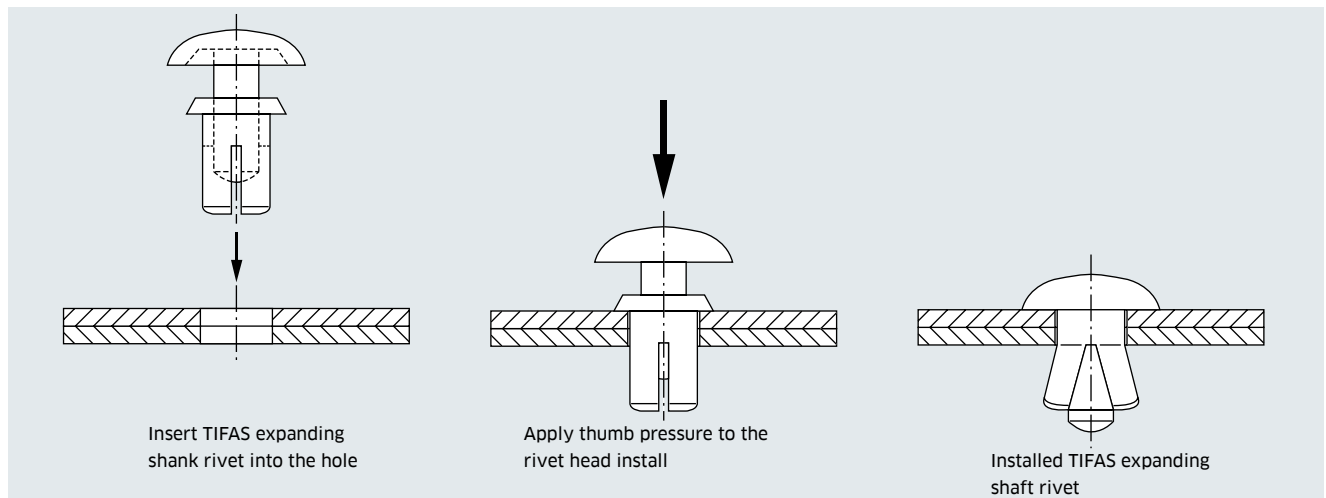
TIFAS® expanding shank plastic rivets

One-sided installation using thumb pressure. TIFAS expanding shank plastic rivets can be used for a variety of applications. For applications where the blind side is inaccessible or difficult to reach, e.g. to fasten panels, type plates and signs or all types of covers.

TIFAS expanding shank plastic rivets are dielectric (non-conductive), made of viscoelastic, corrosion-free material, and lightweight. The smooth, large rivet head provides an outside cap for the expanding rivet to create a visually appealing finish.



Material: PA 6.6 A 3 K, black
 Temperature resistance: constant 60 °C
 Article No.: 409 554 000



Lighting components

Rear lighting

Brief description of functions on the following rear lamps

- S = Tail lamp
- DR = Triangular-shaped rear lamp
- B = Brake lamp
- BL = Indicator lamp
- NES = Rear fog lamp
- ZR = Reversing lamp
- URL = Contour lamp

Modular multi-functional hybrid lamp SDRBBLNE-SZRURL EC-DIN-BO-SS 24 volts - partially fitted with LED lamps

with integrated horizontally mounted triangular-shaped rear lamp, with rear 7-pole DIN pin housing that connects to the rear adapter cable as well as four 2-pole SUPERSEAL pin housings for reversing, side marker, registration plate and contour lamps and/or others with a flanged contour lamp with integrated side marker lamp.

LED lamp function: contour lamps, rear and brake lamp (integrated into the triangular-shaped rear lamp)

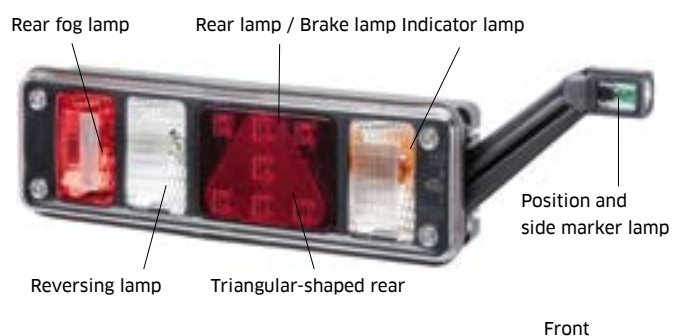
All other functions with bulb holders

Article No.: 676 050 000 - right
676 060 000 - left

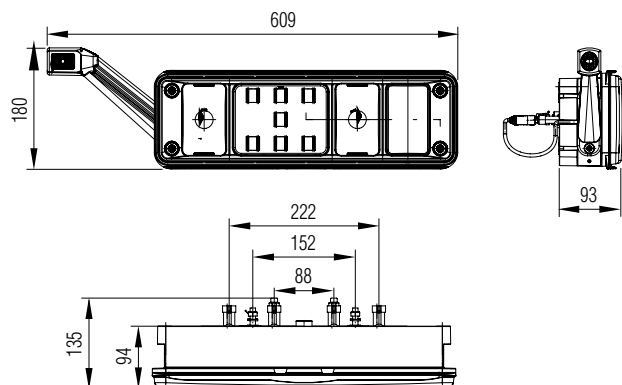
Supplied loose for use as spare parts:
Patented lamp lens can be used with all lamps - identical construction and sides

Article No. 675 070 000

Plug concept:
Plugs can be readily switched within rear lamp



Purple pin = ZR (reversing lamp)



Lighting components

Rear lighting

Modular multi-functional hybrid lamp SDRBBLNESZR EC-DIN-BO-SS 24 volts - partially fitted with LED lamps

with integrated horizontally mounted triangular-shaped rear lamp, with rear 7-pole DIN pin housing that connects to the rear adapter cable as well as four 2-pole SUPERSEAL pin housings for reversing, side marker, registration plate and contour lamps and/or others.

LED lamp function: rear and brake lamp (integrated into the triangular-shaped rear lamp)

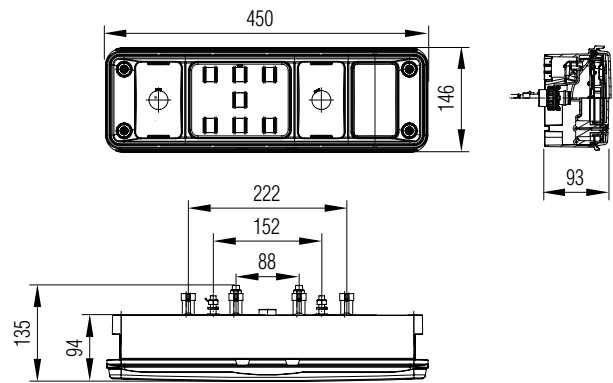
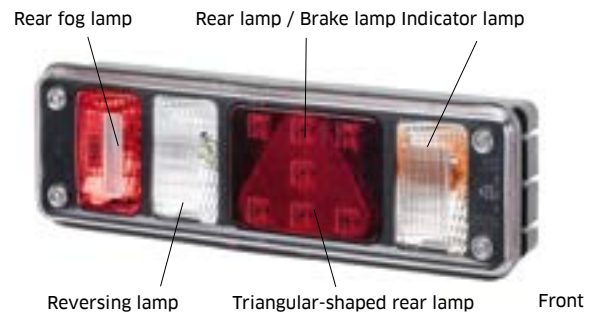
All other functions with bulb holders

Article No.: 676 052 000 - right
676 062 000 - left

Supplied loose for use as spare parts:

Patented lamp lens can be used with all lamps - identical construction and sides

Article No.: 675 070 000



Lighting components

Rear lighting

Modular multi-functional hybrid lamp SDRBBLNE-SZRURL EC-DIN-BO-SS 24 volts - partially fitted with LED lamps, with integrated encoder for Flash SMLR (flashing side marker lamps)

with integrated horizontally mounted triangular-shaped rear lamp, with rear 7-pole DIN pin housing that connects to the rear adapter cable as well as four 2-pole SUPERSEAL pin housings for reversing, side marker, registration plate and contour lamps and/or others with a flanged contour lamp with integrated side marker lamp.

LED lamp function: contour lamp, rear and brake lamp (integrated into the triangular-shaped rear lamp)

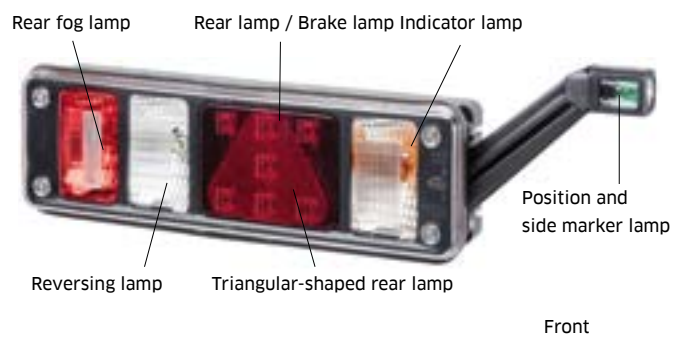
All other functions with bulb holders

Article No.: 676 054 000 - right
676 064 000 - left

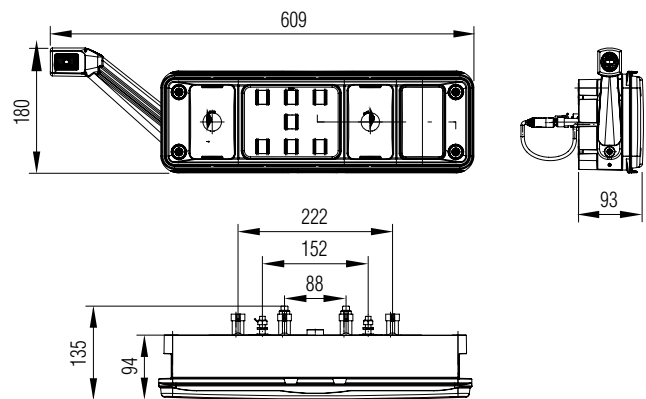
Supplied loose for use as spare parts:

Patented lamp lens can be used with all lamps - identical construction and sides

Article No.: 675 070 000



Orange pin = Flash SMLR
Purple pin = ZR (reversing lamp)



Lighting components

Rear lighting

LED module for indicators

Article No.: 675 072 000

LED module for reversing lamps

Article No.: 675 074 000

LED module for rear fog lamps

Article No.: 675 076 000

Modules can be used on either or both sides. LEDs can be retrofitted as bulb replacements. No special tools required.

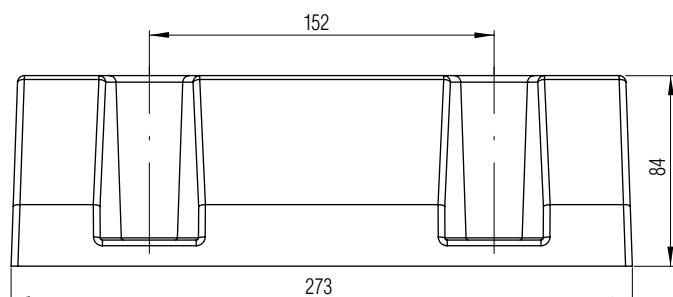
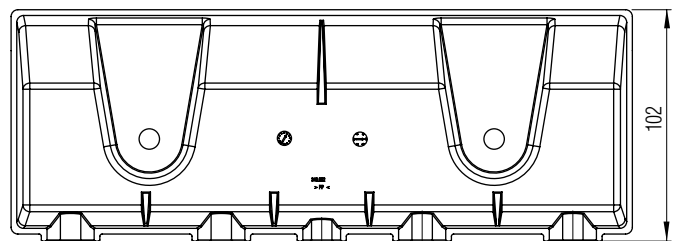
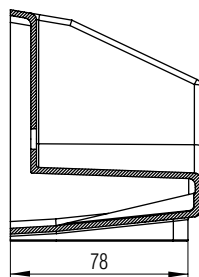


Protective housing for modular, multi-functional hybrid rear lamp

To be used when compulsory to protect the terminals against stonechipping, dirt, water and ice. Slotted holds provided for fixed cable running. Installation depth of right-angle connectors incl. cover flap approx. 90 mm.

Weight: 0.20 kg

Article No.: 675 078 000



All technical specifications shown are approximate and no guarantee is given as to their accuracy! Designs are subject to change.

Lighting components

Rear lighting

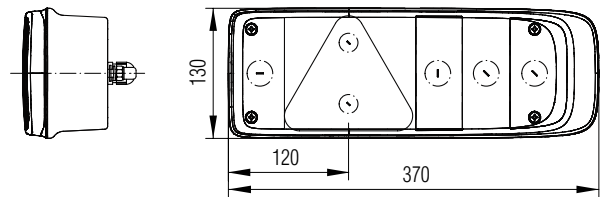
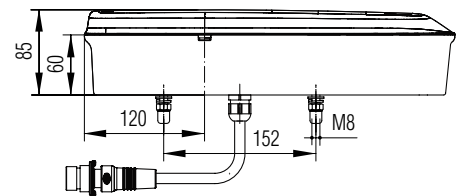
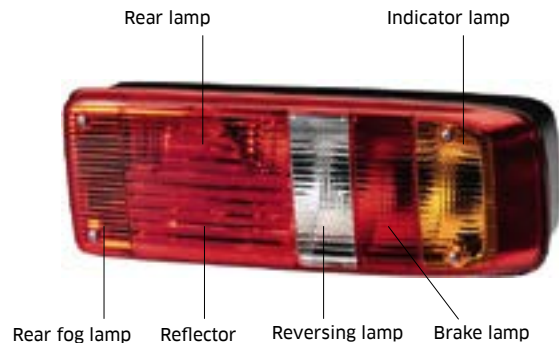
Rear lamp SDRBBLNESZR EasyConn I 24-volt

with bulb holders
with integrated, horizontally mounted triangular-shaped rear lamp, 500 mm cable, with 7-pole DIN pin housing that connects to the rear adapter cable

Article No.: 676 014 000 - right
675 024 000 - left

Spare parts for rear lamp

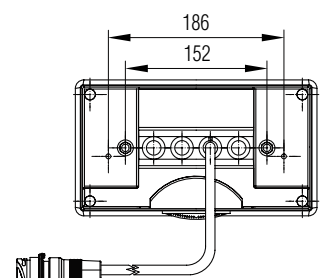
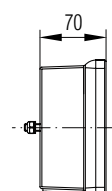
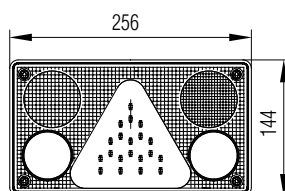
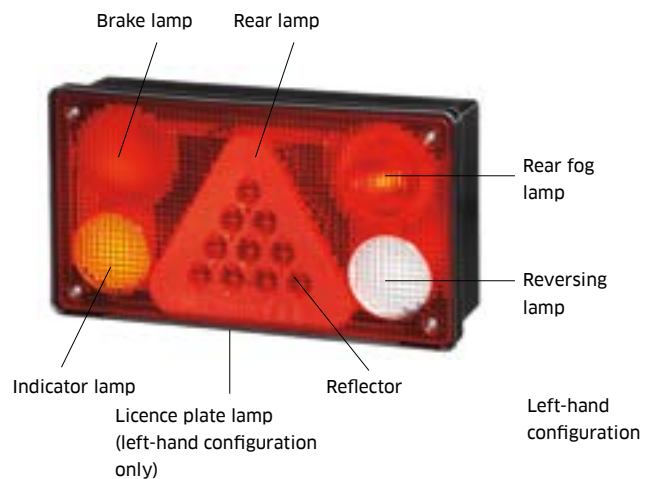
Lamp lens, right Article No.: 675 030 000
Lamp lens, left Article No.: 675 032 000
Lamp lens, SML Article No.: 675 034 000



Compact hybrid rear lamp SDRBBLNESZR 24V

Compact design for trailers with restricted installation area (e.g. vehicles with tail-lift)
with integrated, horizontally mounted triangular-shaped rear lamp, 800 mm cable, with 7-pin DIN pin housing that connects to the rear adaptor cable; left-hand configuration with licence plate lamp 'pointing downwards'
LED light function: rear lamp integrated into triangle;
all other functions with bulb holders

Article No.: 676 015 000 - right
676 025 000 - left



All technical specifications shown are approximate and no guarantee is given as to their accuracy. Designs are subject to change.

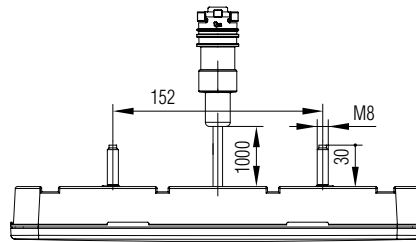
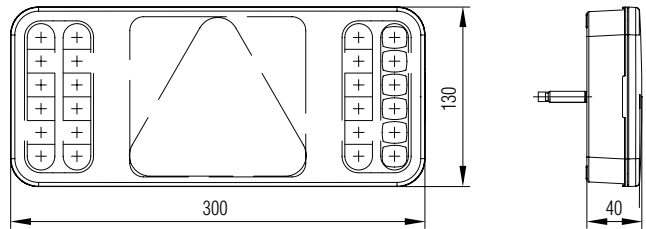
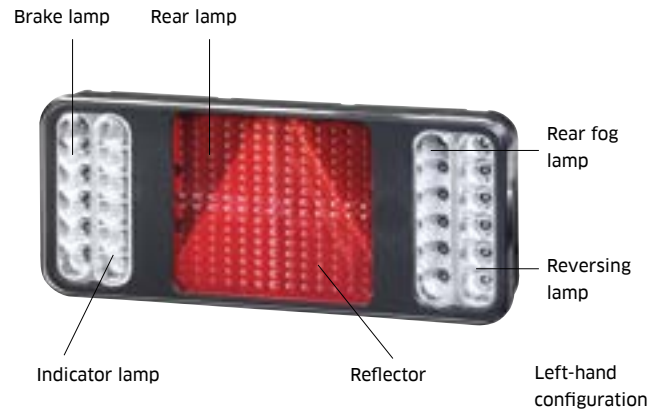
Lighting components

Rear lighting

LED light SDRBBLZRNES COLUNA 24V

Compact, full LED lamp, designed with integrated, horizontally mounted triangular-shaped rear lamp; 1000 mm cable with a 7-pole DIN pin housing that connects to the rear adapter cable (downward-facing)

Article No.: 676 056 000 - right
676 066 000 - left



All technical specifications shown are approximate and no guarantee is given as to their accuracy. Designs are subject to change.

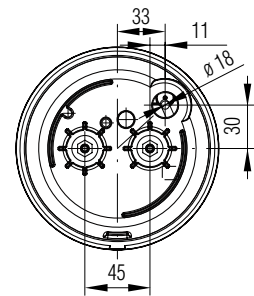
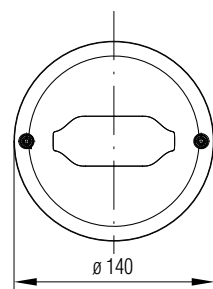
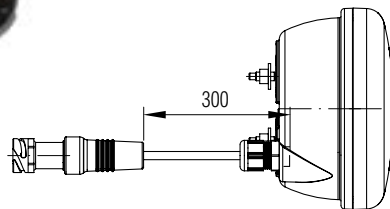
Lighting components

Rear lighting

Hybrid round lamp SBBL 24V

3-chamber round lamp partially fitted with LED light function, with resistor
 LED light function: rear lamp + brake lamp, indicator lamp with bulb holder each with a 7-pole DIN pin housing
 Lamp must be used as the primary light in conjunction with 676 044 000. Can be optionally extended for double installation with 676 042 000.

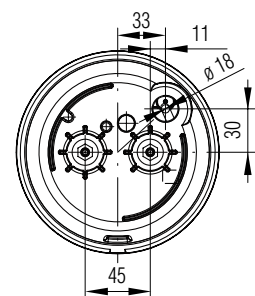
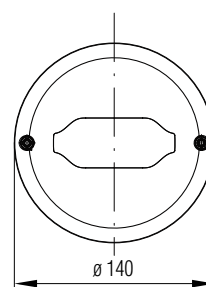
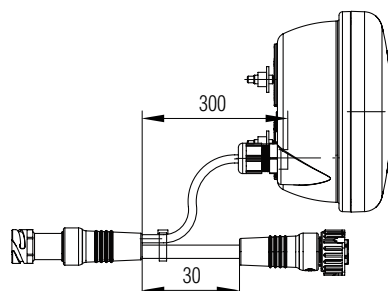
Article No.: 676 040 000



Hybrid round lamp SBBL 24V

3-chamber round lamp partially fitted with LED light function, without resistor for multiple installation in combination with 676 040 000 LED light function: rear and brake lamps, indicator lamp with bulb holder each with a 7-pole DIN pin housing and jack for additional 3-chamber round lamps

Article No.: 676 042 000



All technical specifications shown are approximate and no guarantee is given as to their accuracy! Designs are subject to change.

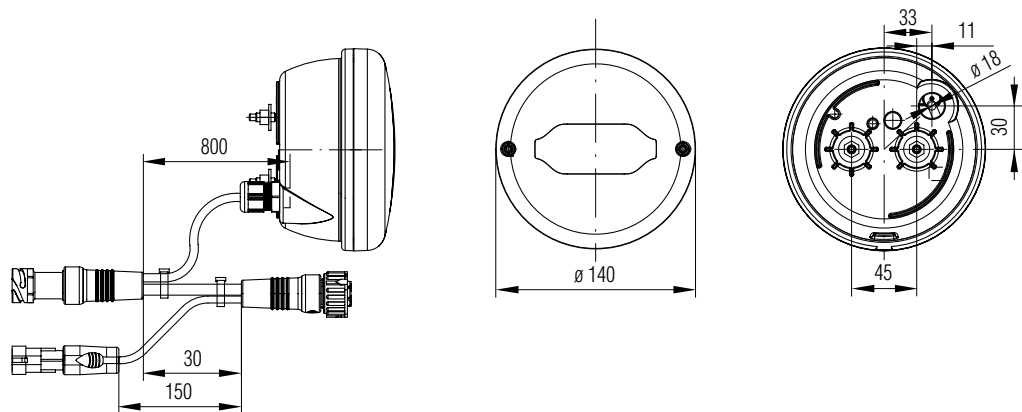
Lighting components

Rear lighting

LED round light NESZR 24V

3-chamber round light fully fitted with LED lights, with rear fog and reversing lamp functions each with a 7-pole DIN pin housing and jack as well as a 2-pole SUPERSEAL pin housing for optional reversing lamp. If using the round light concept, must always be used in conjunction with 676 040 000 and/or together with 676 040 000 + 676 042 000 if two are fitted.

Article No.: 676 044 000



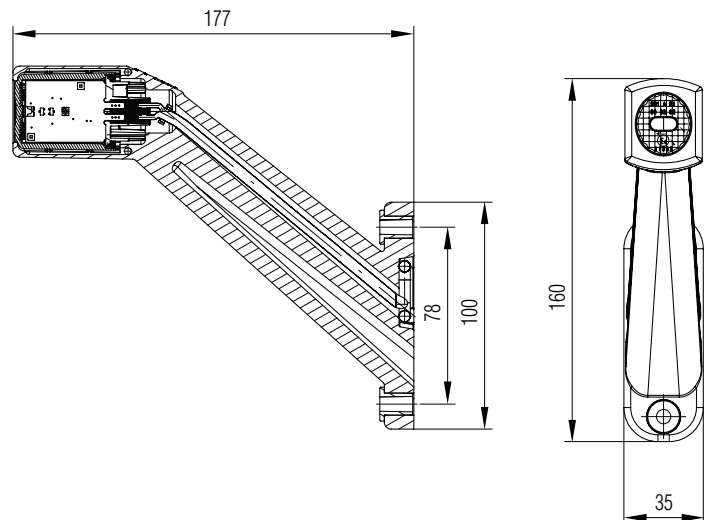
Lighting components

Rear lighting

LED contour lamp red/white/amber EC SS 24V / 1.8W

with three LEDs and sealed-on lamp unit
with integrated side marker, position and contour lamps;
with 800 mm cable and 2-pole SUPERSEAL pin housing to
connect to the MTL rear lamp or rear adapter.

Article No.: 676 236 000 - right
676 237 000 - left



LED contour lamp red/white/amber EC QL 24V / 1.8W

with three LEDs and sealed-on lamp unit
with integrated side marker, position and contour lamps
500 mm cable with Quick-Link connector to connect to the
flat cable.

Weight: 0.32 kg
Article No.: 675 216 005 - right
675 217 005 - left



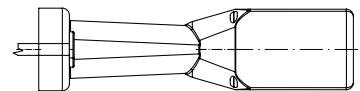
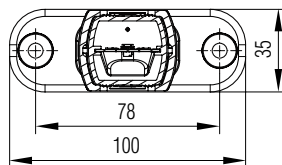
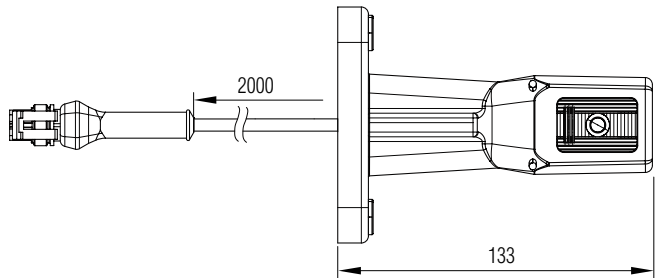
Lighting components

Rear lighting

LED contour lamp red/white/amber, short, EC SS 24V / 1.8W

with three LEDs and sealed-on lamp unit
 with integrated side marker, position and contour lamps
 for use on either side
 cable with 2-pole SUPERSEAL jack to connect to the MTL
 rear light and/ or the rear adapter

Article No.: 676 234 000



LED contour lamp red/white/amber EC QL 24V / 1.8W

with three LEDs and sealed-on lamp unit
 with integrated side marker, position and contour
 lamps for use on either side
 cable with Quick-Link connector to connect to the
 flat cable.

Weight : 0.40 kg
 Article No.: 675 234 000



Lighting components

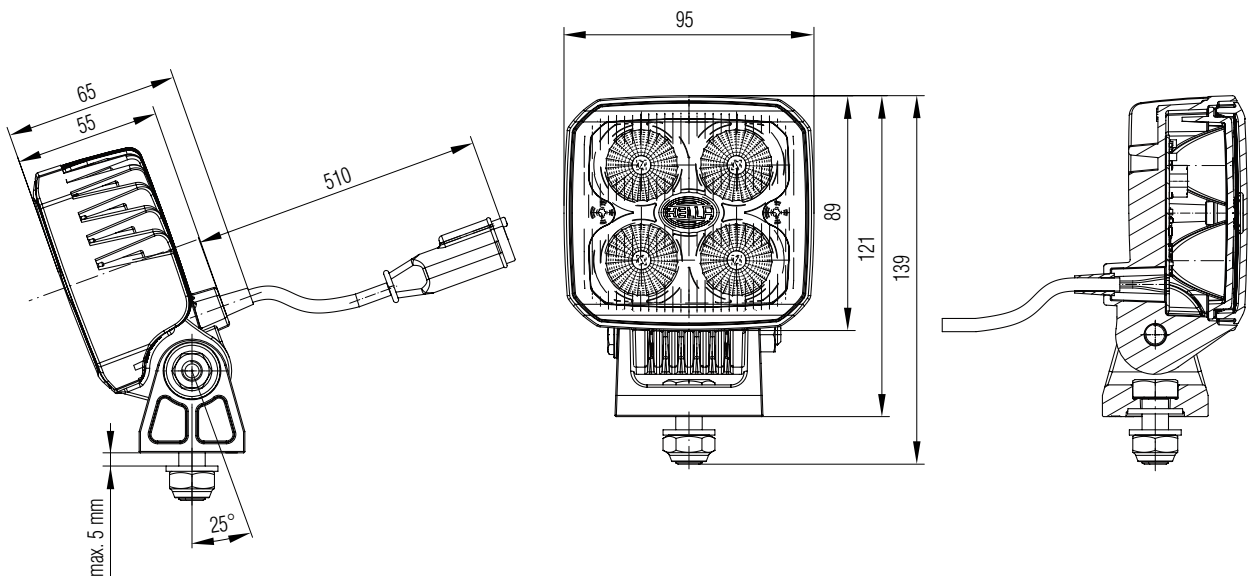
Rear lighting

LED reversing lamp Q90 Multivolt 500 DT / 15W

- 500 mm cable with GERMAN connector
- with 4 high-performance LEDs
- Power requirement 15 W
- Light output 1,000 lm
- Colour temperature 6,500° Kelvin
- Protection class IP 6K9K and IP 6K7
- Type approval in acc. with ECE-R10, ECE-R23
- Colour: black

Article No.: 676 612 000

For use in combination with an MTL lamp and adapter 676 846 000 Optionally employable in combination with EasyConn I and intermediate adapter 675 836 000 as well as adapter 676 848 000



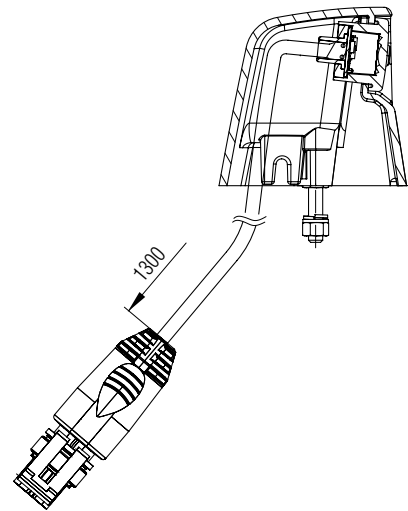
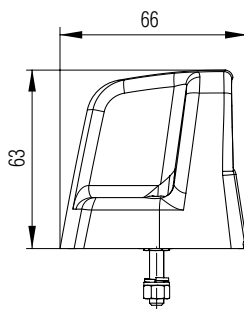
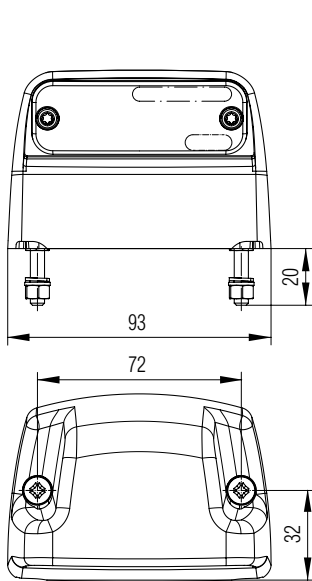
Lighting components

Rear lighting

LED licence plate lamp EC SS Multivolt / 0.3 / 0.6W with 2 LEDs

with 1300 mm cable, with 2-pole SUPERSEAL jack to connect to the MTL rear lamp and/or the rear adapter
Two lamps required for illumination

Article No.: 676 117 013



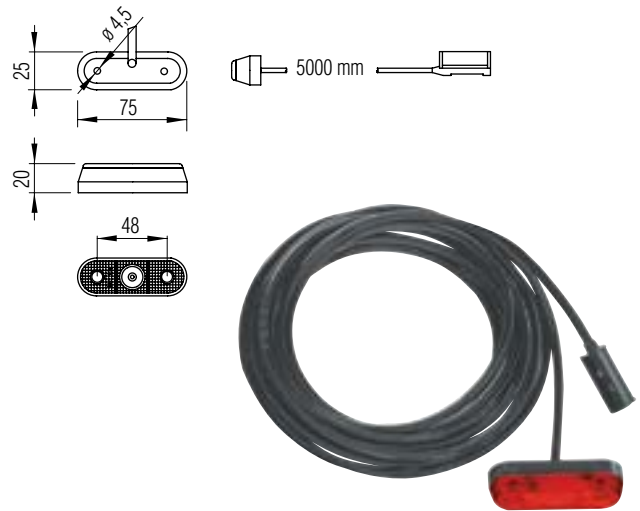
Lighting components

Rear lighting

Additional rear lamp, top-mounted

red, complete with Quick-Link connector on cable, 5000 mm, with LED, 24 volts, right and left in direction of travel

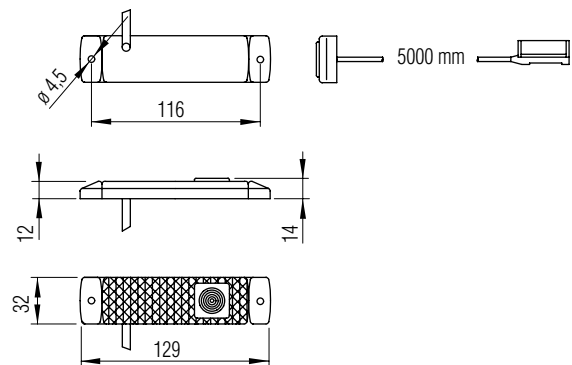
Weight: 0.22 kg
 Article No.: 675 556 050



LED rear contour lamp, red EC QL 1.1W

with complete Quick-Link connector on cable, 5000 mm, with LED

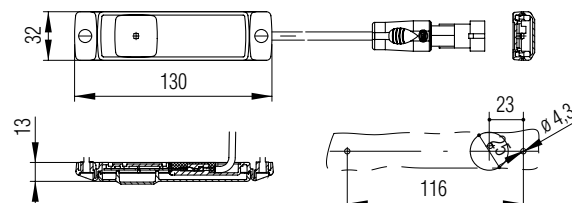
Weight: 0.30 kg
 Article No.: 675 565 050 - 24 V
 675 564 000 - 12 V



LED rear contour lamp, 24V, red EC SS 24V / 1.1W

with 1 LED and sealed on lamp unit; with 5000 mm cable, with 2-pole SUPERSEAL pin housing that connects to the SMLR chain

Article No.: 676 565 050



All technical specifications shown are approximate and no guarantee is given as to their accuracy/ Designs are subject to change.



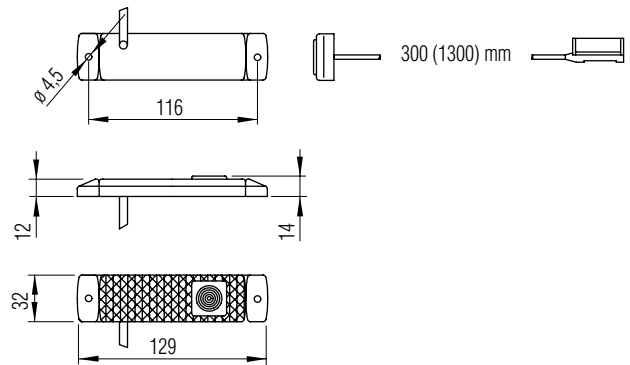
Lighting components

Side lighting

LED side marker lamp EC QL 1W top-mounted

amber, with reflector, with complete Quick-Link connector on cable, with LED, 24 volts

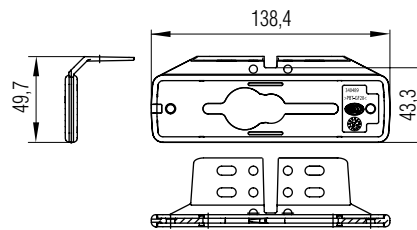
Weight:	0.09 kg
Article No.:	675 365 003 - 300 mm, 24V
Weight:	0.20 kg
Article No.:	675 365 013 - 1300 mm, 24V
Article No.:	675 364 003 - 300 mm, 12V



Universal angle bracket for underside installation of side marker lamps

Article No.: 675 365 and 676 365,
The lamp can be fitted on either side

Article No.: 675 368 000



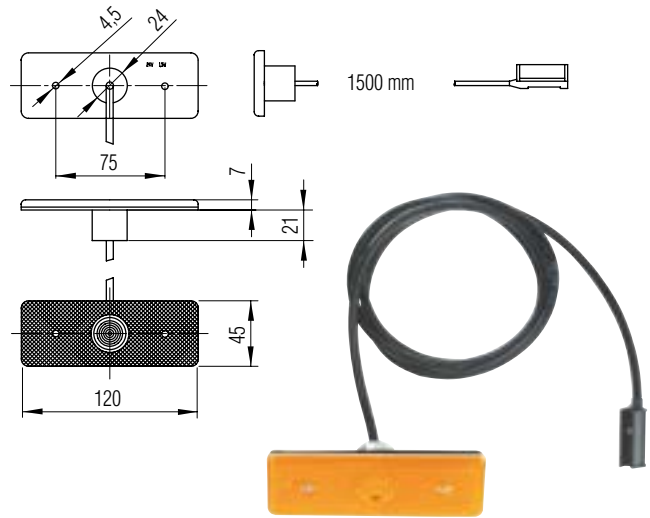
Lighting components

Side lighting

LED side marker lamp QL 24V, built-in

amber, with reflector, with complete Quick-Link connector on cable

Weight: 0.13 kg
Article No.: 675 370 015 - 1500 mm



Plastic holder for underbody installation

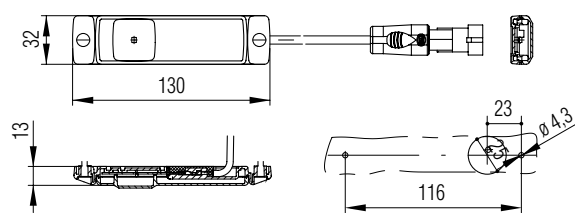
Article No.: 675 371



LED side marker lamp EC SS 24V / 1W top-mounted

amber, with reflector and 450 or 1300 mm cable, with 2-pole SUPERSEAL pin housing that connects to the SMLR chain

Article No.: 676 365 005 - 450 mm
676 365 013 - 1300 mm



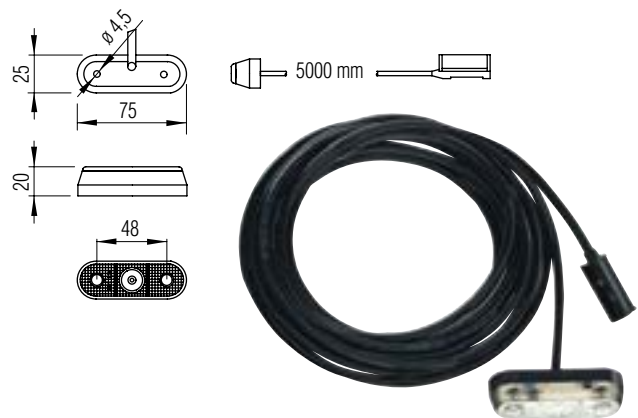
Lighting components

Front lighting

Contour (position) lamp, top-mounted

Transparent glass, with complete Quick-Link connector on cable, 5000 mm, with LED, 24 volts, right and left in direction of travel

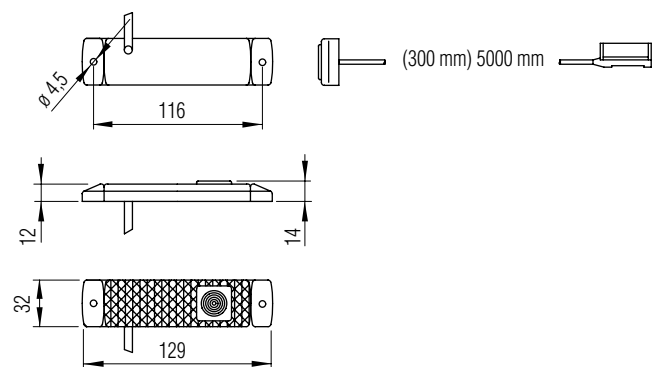
Weight: 0.25 kg
 Article No.: 675 465 050



LED contour lamp, front-mounted, 24 V, white EC QL 24V / 1.1W

with complete Quick-Link connector on cable, 5000 mm, with LED, 24 volts, right and left in direction of travel

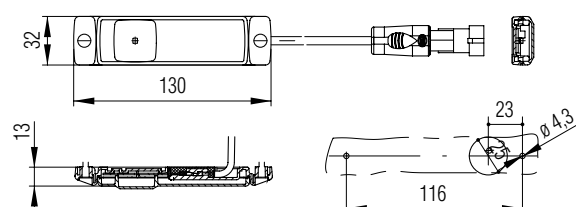
Weight: 0.07 kg
 Article No.: 675 460 003 - 300 mm
 Weight: 0.30 kg
 Article No.: 675 460 050 - 5000 mm



LED contour lamp, front-mounted, 24V, white, EC SS 24V / 1.1W

with 1 LED and sealed-on lamp unit; with 450 or 5000 mm cable, with 2-pole SUPERSEAL pin housing that connects to the SMLR chain

Article No.: 676 460 005 - 450 mm
 676 460 050 - 5000 mm



All technical specifications shown are approximate and no guarantee is given as to their accuracy! Designs are subject to change.

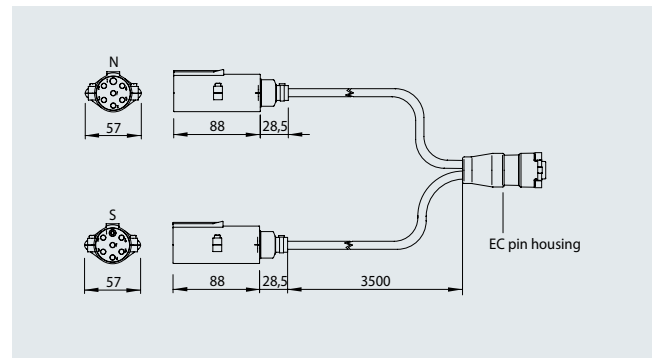
Lighting components

Cable harnesses

Adapter cables for trailer

Connect to tractor unit. Connection on one side to main supply cables, with plug, cable 2 x 7-core, 3500 mm long, with two connectors, 7-pole 7N/7S, ISO 1185/3731

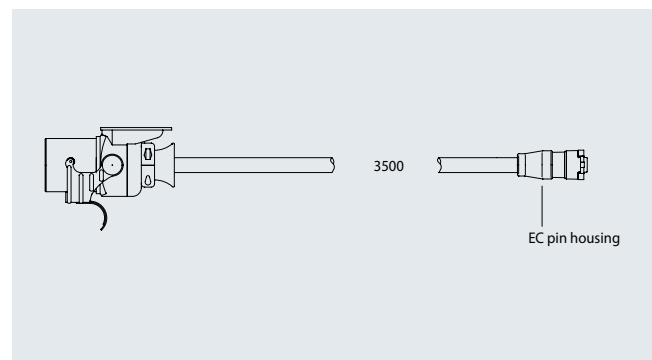
Weight : 1.90 kg
Article No.: 675 872 035



Adapter cables for trailer

Connect to tractor unit. Connection on one side to main supply cables, with plug, cable 15-core, 3500 mm long, with one connector, 15-pole, ISO 12098

Weight: 1.75 kg
Article No.: 675 882 035



All technical specifications shown are approximate and no guarantee is given as to their accuracy/ Designs are subject to change.

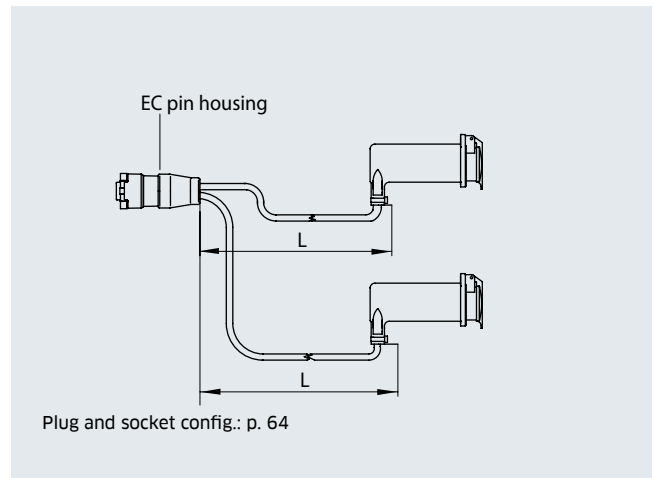
Lighting components

Cable harnesses

Adapter cables for semi-trailers

Connect to tractor unit. Connection on one side to main supply cables, with plug, cable 2 x 7-core, with two connectors, 7-pole 7N/7S, ISO 1185/3731

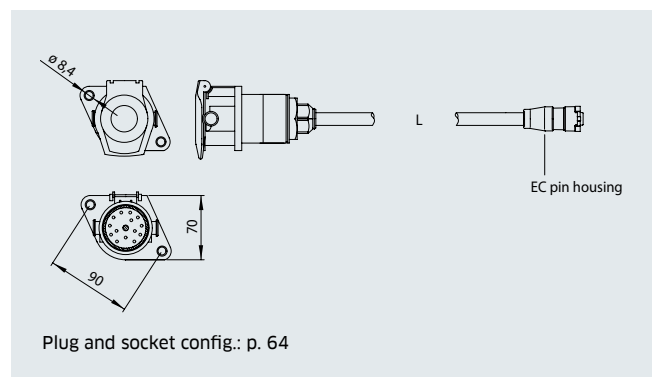
Cable length L [mm]	Weight [kg/each]	Article No.
600	1.00	675 842 006
1700	1.21	675 842 017



Adapter cables for semi-trailers

Connect to tractor unit. Connection on one side to main supply cables, with plug, cable 15-core, one connector, 15-pole, ISO 12098

Cable length L [mm]	Weight [kg/each]	Article No.
600	0.70	675 852 006
1700	1.05	675 852 017



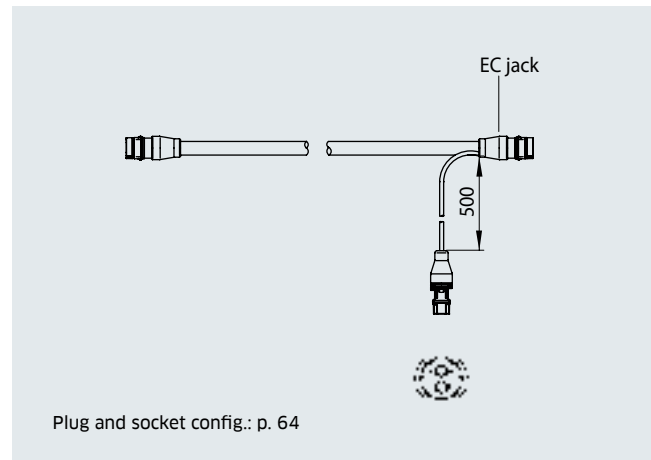
Lighting components

Cable harnesses

Main supply cables

for adapter cables, 15-core, both sides 15-pole plug, with an extra 2-pole outlet on one side for Steady Plus; with cover flap for 2-pole connector

Cable length L [mm]	Weight [kg/each]	Article No.
8000	2.65	675 812 080
10000	4.00	675 812 100
13000	4.90	675 812 130
15500	6.50	675 812 155



Main supply cables

8-core

for adapter cables; 15-pole plugs on both ends; without output for special or additional functions

- Weight: 1.45 kg
- Article No.: 675 822 090 - 9000 mm
- Weight: 1.78 kg
- Article No.: 675 822 115 - 11500 mm
- Weight: 2.31 kg
- Article No.: 675 822 150 - 15000 mm



L = 15000

Plug and socket connections

15		frei not used
14		frei not used
13		frei not used
12		frei not used
11		frei not used
10		frei not used
9		frei not used
8	pink	Rueckfahrlicht reversing light
7	rot	Bremslicht stop light
54	red	stop light
6	braun	Schlusslicht rechts tail light right
58R	brown	tail light right
5	schwarz	Schlusslicht links tail light left
58L	black	tail light left
4	weiss	Masse 1-8 ground 1-8
31	white	ground 1-8
3	blau	Nebelschlusslicht rear fog light
54g	blue	rear fog light
2	gruen	Blinklicht rechts direction indicator right
R	green	direction indicator right
1	gelb	Blinklicht links direction indicator left
L	yellow	direction indicator left

All technical specifications shown are approximate and no guarantee is given as to their accuracy. Designs are subject to change.

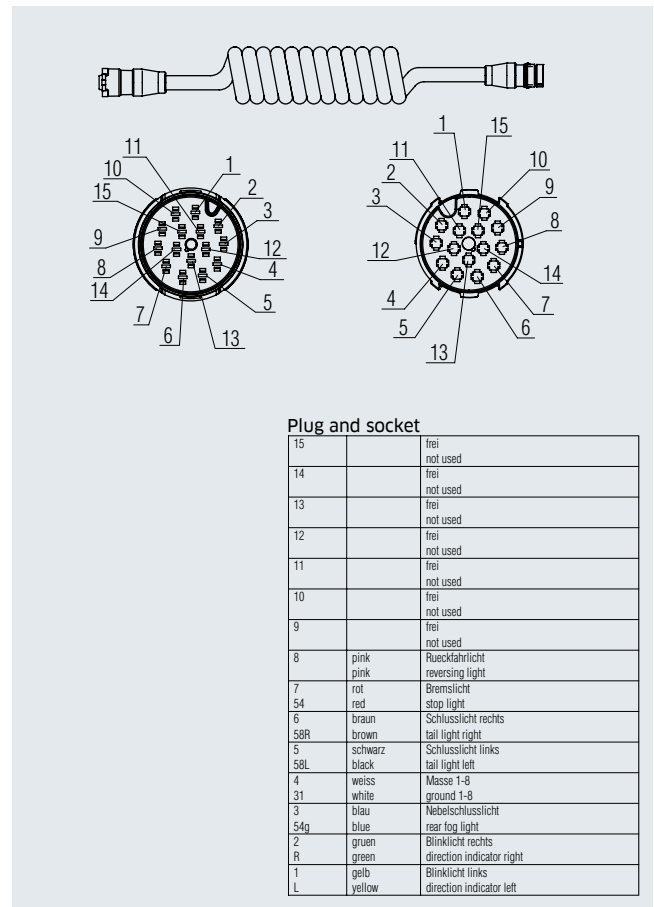
Lighting components

Cable harnesses

Spiral power cable

8-core, one side with 15-pole plug, other side with 15-pole jack
 Effective length: 3000 mm.
 For variable system lengths.

Weight: 2.0 kg
Spiral diameter: 120 mm
Length: 600 mm
Article No.: 675 815 000



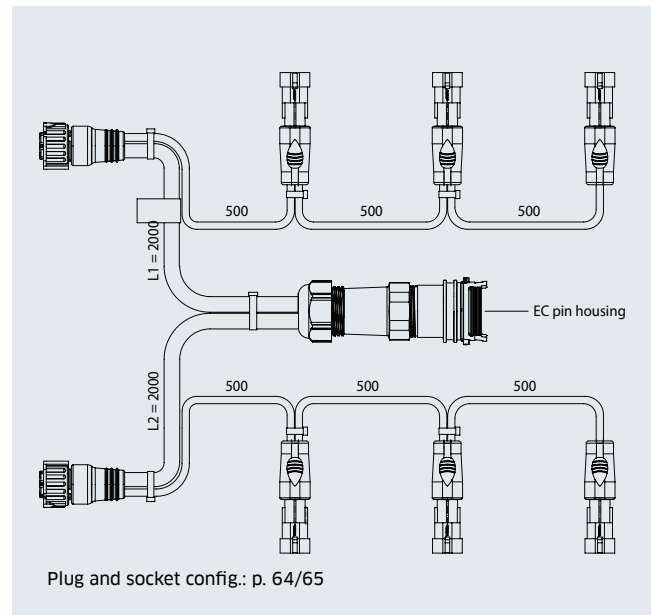
Lighting components

Cable harnesses

Rear adapter cable EC 2X DIN BO 3SS

with jack to connect to the main power supply, with 2 x 7-pole DIN jack to connect to the various rear lamps on the left and the right, plus three 2-pole SUPERSEAL pin housings per side to connect the licence plate and contour lamps as well as the SMLR chain

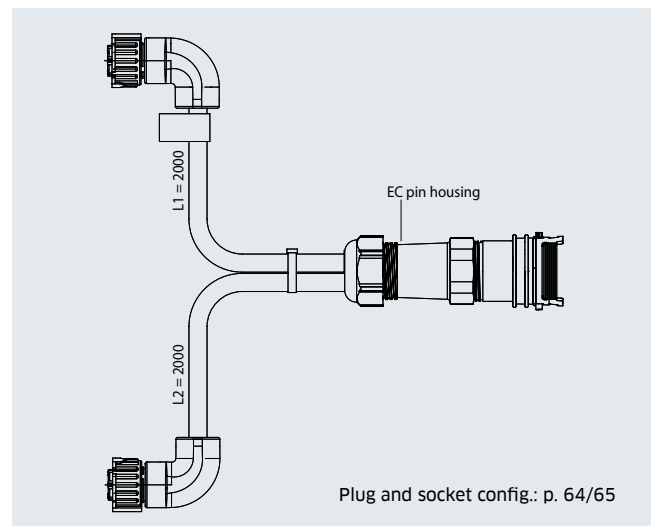
Cable length: 2000 mm
Article No.: 676 830 000



Rear adapter cable EC 2X DIN BO

With jack to connect to the main power supply, with 2 x 7-pole DIN jack to connect to the various MTL rear lights on the left and the right

Cable length: 2000 mm
Article No.: 676 833 000



Lighting components

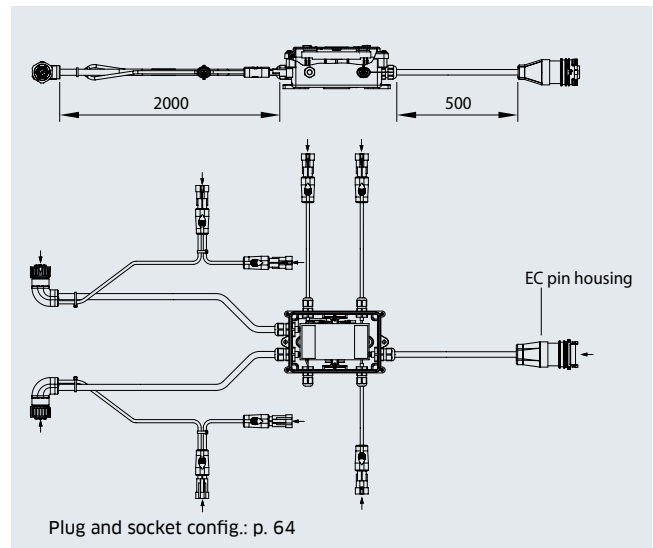
Cable harnesses

Distributor box Flash SMLR DIN SS

with integrated encoder for the Flash SMLR (side marker lights with indicator function) to combine with the following HELLA rear lamps: Modular rear lamp / COLUNA rear lamp / rear lamp new

All bulb versions with 15-pole cable, 500 mm long, with jack to connect to the main supply cable, with two 7-pole DIN jacks to connect various rear lamps left + right, with seven 2-pole SUPERSEAL pin housings to connect KZL/URL/ZR/SML

Article No.: 676 835 000

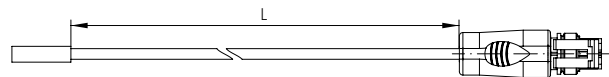


ESK flat cable SS/QL

with SUPERSEAL pin housing that connects to the MTL rear lamp
EC-DIN-BO-SS and/or rear adapter, cable end with shrink tubing

Cable length L [mm]	Weight [kg/each]	Article No.
10	0.64	676 391 100
12	0.80	676 391 120
16	1.03	676 391 160
21	1.40	676 391 210
100*	6.50	675 397 000

* Roll without plug



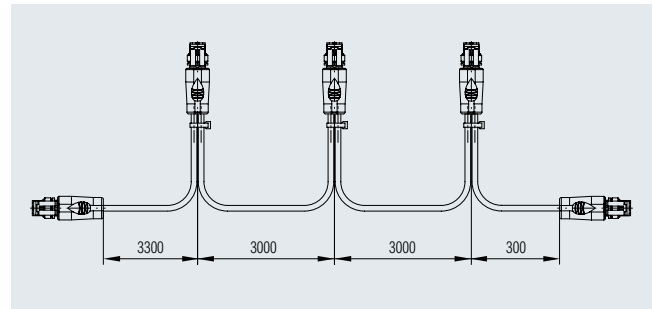
Lighting components

Cable harnesses, auxiliary distributors, ready-to-connect

SMLR chain 5X SS jack

2-core with five SUPERSEAL jacks to connect the side marker lamps

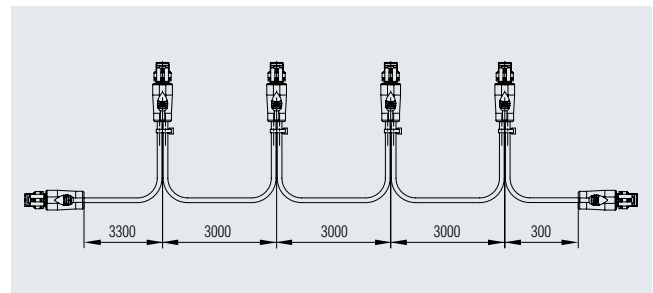
Cable length: 300/3000/3000/3000/3300 mm
Article No.: 676 395 000



SMLR chain 6X SS jack

2-core with six SUPERSEAL jacks to connect the side marker lamps

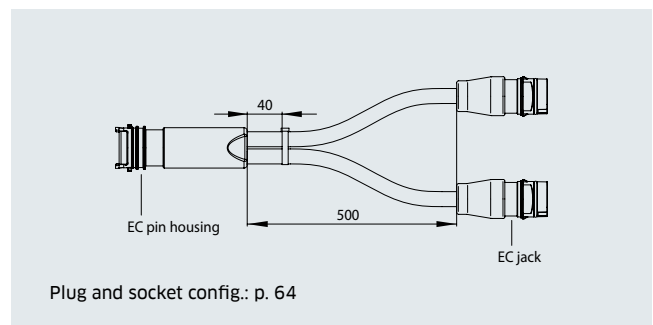
Cable length: 300/3000/3000/3000/3000/3300 mm
Article No.: 676 396 000



Y cable EC NG

With two plugs and one jack, 15-pole, to connect a further 15-pole lead or connector

Length: 200 mm
Material: Plastic
Colour: Black
Weight: approx. 0.3 kg
Article No.: 675 826 000



All technical specifications shown are approximate and no guarantee is given as to their accuracy/ Designs are subject to change.

Lighting components

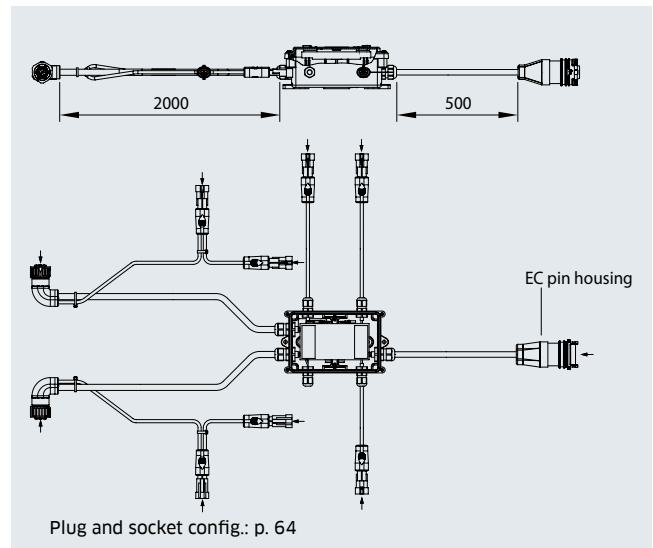
Cable harnesses

Distributor box Flash SMLR DIN SS

with integrated encoder for the Flash SMLR (side marker lights with indicator function) to combine with the following HELLA rear lamps: Modular rear lamp / COLUNA rear lamp / rear lamp new

All bulb versions with 15-pole cable, 500 mm long, with jack to connect to the main supply cable, with two 7-pole DIN jacks to connect various rear lamps left + right, with seven 2-pole SUPERSEAL pin housings to connect KZL/URL/ZR/SML

Article No.: 676 835 000

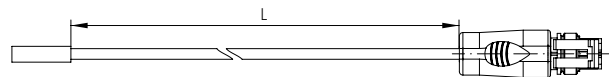


ESK flat cable SS/QL

with SUPERSEAL pin housing that connects to the MTL rear lamp
EC-DIN-BO-SS and/or rear adapter, cable end with shrink tubing

Cable length L [mm]	Weight [kg/each]	Article No.
10	0.64	676 391 100
12	0.80	676 391 120
16	1.03	676 391 160
21	1.40	676 391 210
100*	6.50	675 397 000

* Roll without plug



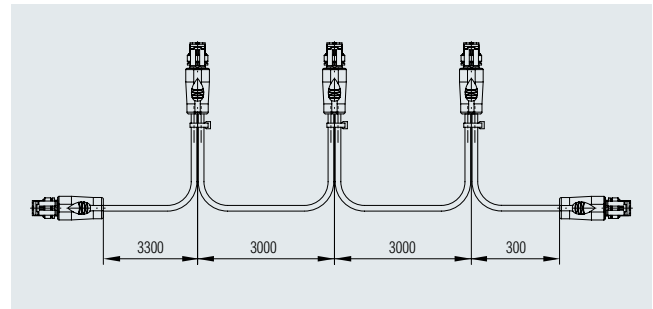
Lighting components

Cable harnesses, auxiliary distributors, ready-to-connect

SMLR chain 5X SS jack

2-core with five SUPERSEAL jacks to connect the side marker lamps

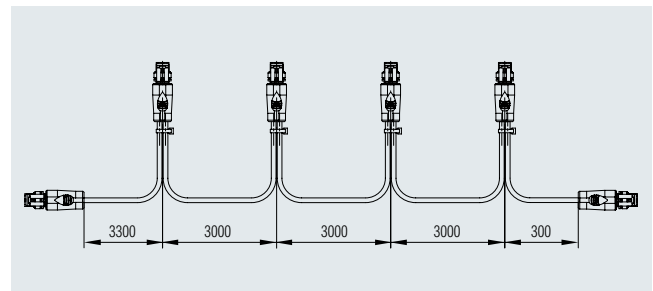
Cable length: 300/3000/3000/3000/3300 mm
Article No.: 676 395 000



SMLR chain 6X SS jack

2-core with six SUPERSEAL jacks to connect the side marker lamps

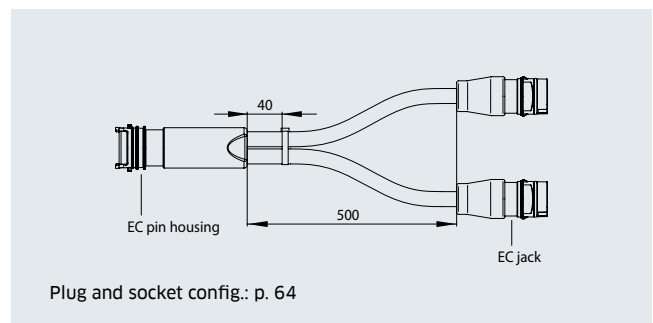
Cable length: 300/3000/3000/3000/3000/3300 mm
Article No.: 676 396 000



Y cable EC NG

With two plugs and one jack, 15-pole, to connect a further 15-pole lead or connector

Length: 200 mm
Material: Plastic
Colour: Black
Weight: approx. 0.3 kg
Article No.: 675 826 000



Lighting components

Auxiliary distributor, ready-to-connect

Intermediate adapter

15-pole cable, 500 mm long, plug on one side, jack on the other. With two 2-pole jack outlets, 300 mm cable; with 2 x additional reversing lamp function; for use with compact lamp Article No. 675 015/025 (see page 32)

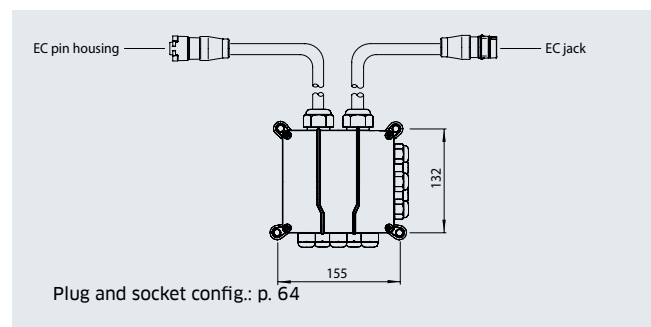
Weight: approx. 0.5 kg
Article No.: 675 836 000



ADDITIONAL PG distributor

- With 15-pole cable, 500 mm long, plug included
 - With 15-pole cable, 500 mm long, jack included
- All functions can be accessed through this distributor.

Installation height: 68 mm
Material: Plastic, extremely impact resistant
Colour: Black
Weight: approx. 1.0 kg/each
Article No.: 675 764 000



Lighting components

Auxiliary distributor, ready-to-connect

Cable management and distributor, fully pre-manufactured

Front distributor

- With two sockets, 7-pole, 7N/7S ISO 1185/3731
- With one socket, 15-pole, ISO 12098
- With 15-pole socket on underside to connect the main power lead

Fixing hole template:	224 x 124 mm
Total assembled height:	134.5 mm
Material:	Plastic
Colour:	Black
Weight:	approx. 1.5 kg/each
Article No.:	675 772 000



EC pin housing

Plug and socket configuration: p. 64

Y adapter, 2-core, 1SS pin, 2 SS jack

2-core, with one SUPERSEAL pin housing and two SUPERSEAL jacks

Cable length:	2 x 150 mm
Article No.:	676 840 000



Y splitter cable, 2-core, 2SS pin, 1SS jack

2-core, with two SUPERSEAL pin housings and one SUPERSEAL jack

Cable length:	2 x 150 mm
Article No.:	676 842 000



Adapter cable, 2-core EC/SS pin

2-core; 2-pole EasyConn adapter for SUPERSEAL pin housing

Cable length:	150 mm
Article No.:	676 844 000



Quick-Link lead

2-core round lead, one end fitted with Quick Link connection or bare wires, to connect additional powered device to flat lead

Weight:	approx. 0.05 kg
Article No.:	675 838 000 - Length 1500 mm 675 838 001 - Length 500 mm



Lighting components

Cable management and distributor, fully pre-manufactured Accessories

Switch device / Indicator lamp control unit

with 15-pole EasyConn plug connectors on both sides.
Does not require own power supply. For lighting systems with full-LED lights to control of the LED flashing light breakdown monitoring function

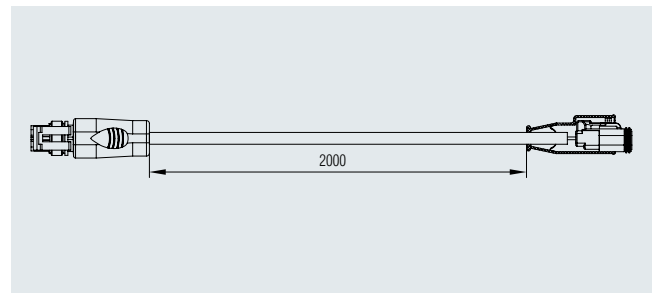
Weight: approx. 5.0 kg
Article No.: 675 837 000



Adapter lead, 2-core, DT/SS 2000 mm

2-core with GERMAN plug on one end and a 2-pole SUPERSEAL jack on the other to connect the reversing lamp to the MTL

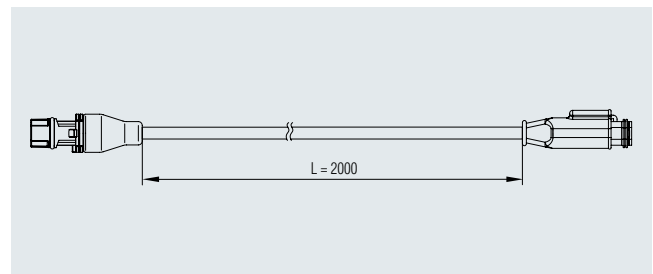
Cable length: 2000 mm
Article No.: 676 846 000



Adapter lead, 2-core, DT/EasyConn 2000 mm

2-core with GERMAN plug on one end and a 2-pole SUPERSEAL jack on the other to adapt the "Q90" LED reversing lamp 676612.000 to intermediate adapter 675836.000 in combination with the EC-I lamp

Cable length: 2000 mm
Article No.: 676 848 000

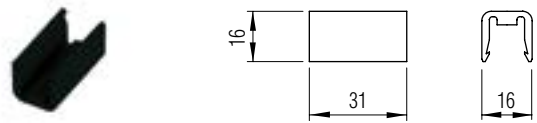


Lighting components Accessories

Fixing clip

for Quick-Link lamps

Article No.: 675 399 000



Mounting pliers

Article No.: 675 398 000



Service set 2-pole SS jack

Article No.: 676 914 000



Service set 2-pole SS pin housing

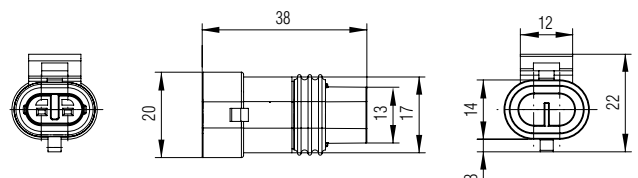
Article No.: 676 916 000



Cap for SS2 jack

For connecting the 2-pole SUPERSEAL jack and pin housing; can be used on either side

Article No.: 676 920 000



Lighting components Accessories

Connection set 2-pole EasyConn

for self-configuration

Jack housing

comprising housing, locknut, guide ring, rubber tube, cable ties and blade connectors

Article No.: 675 914 000

Jack housing

comprising housing, locknut, guide ring, rubber tube, cable ties, blade receptacles and O ring

Article No.: 675 916 000

Cover cap for 2-pole EasyConn jack

to encase the 2-pole jack

Article No.: 675 818 000

Cover cap for 2-pole EasyConn plug

to encase the 2-pole plug

Article No.: 675 817 000



Lighting components

Accessories

Service set 15-pole EC 2 connector

not sheathed; can be freely trimmed to customer's own requirements; can be used as a repair kit and/or for retrofitting or as an extension. Single seal around the area of contact, with additional bayonet connector.

Article No.: 675 946 000



Service set 15-pole EC 2 pin bushing

not sheathed; can be freely trimmed to customer's own requirements; can be used as a repair kit and/or for retrofitting or as an extension. Single seal around the area of contact, with additional bayonet connector.

Article No.: 675 948 000



Fuse set, 15-pole

To additionally protect EasyConn plug connections from high tensile loads; with guide ring and locknut, EasyConn connector housing.

Article No.: 675 944 000



HELLA assembly spray

- Protects electrical/electronic parts and metals against short-circuiting due to wetness or moisture, and against malfunctions and corrosion
- Infiltrates moisture and forms a protective film
- Maintains conductivity and also increases the service life of treated parts

Article No.: 675 900 000



Lighting components

Plugs and sockets

**Plug, 7-pole, metal, 24 V,
Conforms to ISO 1185, contact 31 with contact sleeve**

Solid metal construction with screw-in terminals
Load capacity 7 x 20 A at 24 V, overall length 115 mm
Material: blank metal housing

Weight: approx. 0.15 kg/each
Article No.: 670 710 000



**Plug socket, 7-pin, metal, 24 V,
Conforms to ISO 1185, contact 31 with contact pin**

Solid metal construction with screw-in terminals
Rubber gasket in sealing cap, including cable-protection bush, Load capacity 7 x 20 A at 24 V, overall length 52 mm

Overall length: 52 mm
Material: blank metal housing
Weight: approx. 0.17 kg/each
Article No.: 670 715 000



**Plug, 7-pole, metal, 24 V,
Conforms to ISO 3731, contact 1 with contact pin**

Solid metal construction with screw-in terminals
Load capacity 7 x 20 A at 24 V, overall length 115 mm

Material: blank metal housing
Weight: approx. 0.15 kg/each
Article No.: 670 720 000



**Plug, 7-pole, metal, 24 V, conforms to ISO 3731
Contact 1 with contact sleeve**

Solid metal construction with screw-in terminals
Rubber gasket in sealing cap, including cable-protection bush, Load capacity 7 x 20 A at 24 V, overall length 52 mm

Overall length: 52 mm
Material: blank metal housing
Weight: approx. 0.17 kg/each
Article No.: 670 725 000



Lighting components

Plugs and sockets

Plug, 15-pole, ADR/GGVS, 24 V, conforms to ISO 12098 Plastic, with crimp terminals

For standard leads and PUR-moulded leads (ADR/GGVS)
3 x 2.5; 10 x 1.5 and 2 x 1.0 mm²; metal clip for secure locking. Load capacity 20 A at 24 V; overall length 115 mm

Material: Plastic housing,
Metal clip
Weight: approx. 0.23 kg/each
Article No.: 670 740 000



Plug socket, 15-pole, ADR/GGVS, 24 V, conforms to ISO 12098 Plastic, with crimp terminals

For standard leads and PUR-moulded leads (ADR/GGVS)
3 x 2.5; 10 x 1.5 and 2 x 1.0 mm²; metal clip for secure locking. Load capacity 20 A at 24 V; overall length 115 mm

Material: Plastic housing
Weight: approx. 0.20 kg/each
Article No.: 670 745 000



Spiral cable, 15-core, ADR/GGVS, 24 V, conforms to ISO 12098, PUR-moulded lead with 2 plastic connectors

Configuration 12 x 1.5 and 3 x 2.5 mm²; length when extended 4000 mm; metal clip for secure locking; spiral cable diameter 60 mm

Material: PUR-moulded cable; plastic connector;
metal clip
Weight: approx. 2.30 kg/each
Article No.: 670 747 000



Spiral cable, 15-core, to 2 x 7 core, ISO 12098 to ISO 1185/3731

One 15-pole connector and two 7-pole connectors to connect a tractor with a 15-pole socket and trailer with two 7-pole sockets; length when extended 4000 mm; metal clip for secure locking; spiral cable diameter 90 mm

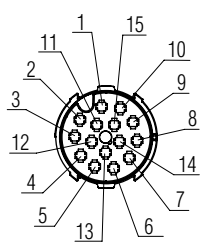
Material: PVC cable, plastic/metal connector,
metal clip
Weight: approx. 1.81 kg/each
Article No.: 670 748 000



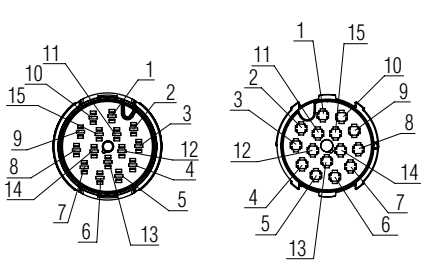
Lighting components

Plug and socket connections

15-pole, ISO 12098

Plug	Pin	Colour	Description
	1 (L)	amber	Indicator lamp left
	2 (R)	green	Indicator lamp right
	3 (54 g)	blue	Rear fog lamp
	4 (31)	white	Ground 1 - 8
	5 (58 L)	black	Rear lamp left
	6 (58 R)	brown	Rear lamp right
	7 (54)	red	Brake lamp
	8	pink	Reversing light
	9	orange	Steady Plus
	10	grey	Brake pad sensor
	11	white/black	Brake sensor
	12	white/blue	Axle lift
	13	white/red	Ground for data cable
	14	white/green	CAN H data cable
	15	white/brown	CAN L data cable

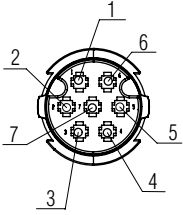
15-pole, EC jack and pin housing

Plug	Pin	Colour	Description
	1 (L)	amber	Indicator lamp left
	2 (R)	green	Indicator lamp right
	3 (54 g)	blue	Rear fog lamp
	4 (31)	white	Ground 1 - 8
	5 (58 L)	black	Rear lamp left
	6 (58 R)	brown	Rear lamp right
	7 (54)	red	Brake lamp
	8	pink	Reversing light
	9	orange	Steady Plus
	10	grey	Brake pad sensor
	11	white/black	Brake sensor
	12	white/blue	Axle lift
	13	white/red	Ground for data cable
	14	white/green	CAN H data cable
	15	white/brown	CAN L data cable

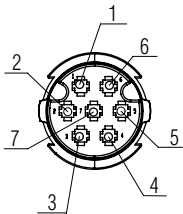
Lighting components

Plug and socket configuration

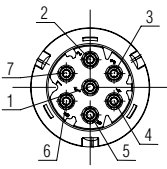
7-pole, ISO 1185 - 7N

Plug	Pin	Colour	Description
	1 (31)	white	Ground
	2 (58 L)	black	Rear lamp left
	3 (L)	amber	Indicator lamp left
	4 (54)	red	Brake lamp
	5 (R)	green	Indicator lamp right
	6 (58 R)	brown	Rear lamp right
	7	white/brown	Brake control, trailer


7-pole, ISO 1185 - 7N

Plug	Pin	Colour	Description
	1	white/red	Ground
	2	white/black	Not used
	3	pink	Reversing lamp
	4	orange	Steady Plus
	5	white/green	Controller via ground
	6	white/blue	Ignition switch power supply
	7 (54 g)	blue	Rear fog lamp

7-pole, ISO 1185 - 7N

Plug	Pin	Colour	Description
	1 (31)	white	Ground
	2 (58L)	black	Rear lamp left
	3	pink	Reversing lamp
	4 (L)	amber/green	Indicator lamp left
	5 (54)	red	Brake lamp
	6 (54 g)	blue	Rear fog lamp
	7 (58R)	brown/black	Rear lamp right

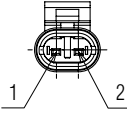
7-pole, ISO 1185 - 7N

Plug	Pin	Colour	Description
	1 (31)	white	Ground
	2 (58L)	brown	Rear lamp right
	3	pink	Reversing lamp
	4 (L)	amber/green	Indicator lamp right
	5 (54)	red	Brake lamp
	6 (54 g)	blue	Rear fog lamp
	7 (58R)	black	Rear lamp left

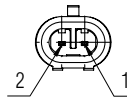
Lighting components

Plug and socket connections

15-pole, ISO 12098

Plug	Pin	Colour	Description
	1	white	Ground
	2	black	Power supply

15-pole EC jack and pin housing

Plug	Pin	Colour	Description
	1	white	Ground
	2	black	Power supply

All technical specifications shown are approximate and no guarantee is given as to their accuracy/ Designs are subject to change.

Titgemeyer GmbH & Co. KG

Hannoversche Straße 97
49084 Osnabrück / DE

Postfach 43 20
49033 Osnabrück / DE

T +49 (0) 541 58 22 - 0
E info@titgemeyer.com
W titgemeyer.com