

## TI-TAINER

Secure fastener for plywood structures



# TI-TAINER



The TI-TAINER is a two-part fastening system which, thanks to its large head diameter, the anti-rotation lock on the bolt and an additional seal under the bolt head, is designed in particular for the secure fastening of components to soft panels such as plywood. The TI-TAINER is ideally suited for fastening profiles and hinges.

The desired clamping thickness is achieved by the recommended combination of the TI-TAINER bolt and the corresponding TI-TAINER nut (see product table).

## Benefits at a glance

- Grade 8.8 steel, Geomet plated (500B).
- Extra-large bearing surfaces on the bolt and nut.
- Removeable when needed
- Minimal installation height due to low head heights on the fastening elements
- Colour-coded sealing element for differentiation of the bolt lengths
- Threadlocking varnish on the threaded bolt - secures the connection
- Vibration-resistant
- Nut with Torx star bit drive (T55)
- Secure, non-rotating bolt after tapping

## Applications:

- Vehicle construction
- Container construction

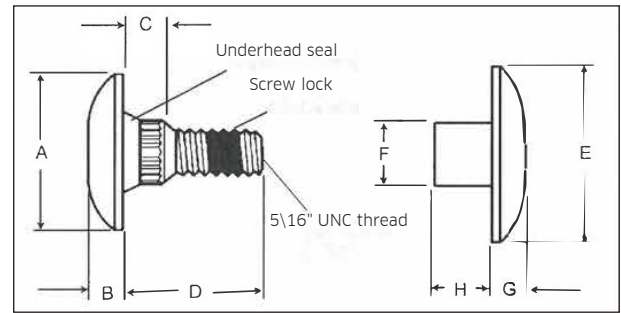
To ensure that the required thread engagement is reached, please select the recommended system combination for the desired grip range.

# TI-TAINER

Bolt with underhead seal  
Nut with T55 Torx star bit drive

### Material

Steel 8.8,  
Surface: Geomet 500B



Borehole $\varnothing$ [mm]	Grip range* [mm]	Breaking Shear** [KN]	strength Tensile [KN]	Bolt				Sealing ring colour	Article No.	Nut				Article No.		
				A [mm]	B [mm]	C [mm]	D [mm]			E [mm]	F [mm]	G [mm]	H [mm]			
10.3	13.6 - 14.9	14	20	20.3	5.1	5.5	14.0	Brown	376 950 009	25.4	9.85	4.0	7.0	376 960 009		
	15.6 - 19.5							16.0	White				376 951 009	9.6	376 961 009	
	18.7 - 22.6							16.0	White				376 951 009	12.7	376 962 009	
	18.7 - 22.6							6.6	19.1				Black	376 952 009	9.6	376 961 009
	20.1 - 25.7								19.1				Black	376 952 009	12.7	376 962 009
	21.8 - 28.8							9.5	22.2				Blue	376 953 009	12.7	376 962 009
	23.3 - 32.0								22.2				Blue	376 953 009	15.9	376 963 009
	25.0 - 32.0							12.3	25.4				Yellow	376 954 009	12.7	376 962 009
	26.4 - 35.2								25.4				Yellow	376 954 009	15.9	376 963 009
	31.4 - 38.4							12.3	31.8				Red	376 955 009	12.7	376 962 009
	31.4 - 41.6								31.8				Red	376 955 009	15.9	376 963 009
	36.3 - 51.5							12.3	31.8				Red	376 955 009	25.8	376 964 009
	38.1 - 45.1								38.5				Green	376 966 009	12.7	376 962 009
	38.1 - 48.3								38.5				Green	376 966 009	15.9	376 963 009
	38.8 - 58.2								38.5				Green	376 966 009	25.8	376 964 009

\* The specified clamping ranges are non-binding application recommendations for hard/soft connections.  
Please contact us if you have any technical queries.

\*\* All specifications relate to mean test values  
Please order bolts and nuts separately!  
Other designs available on request.

All technical data is intended as a guide but is not binding! Subject to change without notice.

## About us

The Titgemeyer Group is a leading company for fastening technology and vehicle components at 14 locations in Europe.

The traditional company develops, manufactures and sells more than 30,000 fastening elements, tools and vehicle components – in series production and on request.

### Headquarters

**Titgemeyer GmbH & Co. KG**  
Hannoversche Straße 97  
49084 Osnabrück / DE

PO Box 4320  
49033 Osnabrück / DE

T +49 541 5822-0  
E [info@titgemeyer.com](mailto:info@titgemeyer.com)  
W [titgemeyer.com](http://titgemeyer.com)



### Sales locations

**Titgemeyer Austria GmbH**  
Brunner Straße 77 - 79  
1230 Wien / AT

T +43 (0) 1/6 67 90 40 - 0  
E [sales@titgemeyer.com](mailto:sales@titgemeyer.com)  
W [titgemeyer.at](http://titgemeyer.at)

**Titgemeyer CZ spol. s r. o.**  
U Vodárny 1506  
397 01 Písek / CZ

T +420 382 2067 - 25  
E [sales@titgemeyer.com](mailto:sales@titgemeyer.com)  
W [titgemeyercz.cz](http://titgemeyercz.cz)

**Titgemeyer Polska sp. z o.o.**  
Cypriana Bazylika 17  
98-200 Sieradz / PL

T +48 (0) 43 828 20 - 15  
E [sales@titgemeyer.com](mailto:sales@titgemeyer.com)  
W [titgemeyer.pl](http://titgemeyer.pl)

**Titgemeyer Skandinavien A/S**  
Lunikvej 32  
2670 Greve / DK

T +45 4360 0966  
E [info@titgemeyer.dk](mailto:info@titgemeyer.dk)  
W [titgemeyer.dk](http://titgemeyer.dk)

**Titgemeyer Skandinavien A/S**  
Box 3218  
550 03 Jönköping / SE

T +46 36 128350  
E [info@titgemeyer.se](mailto:info@titgemeyer.se)  
W [titgemeyer.se](http://titgemeyer.se)

**Titgemeyer Skandinavien A/S**  
Korkeakoulunkatu 7  
33720 Tampere / FI

T +358 (0) 400 448 401  
E [info@titgemeyer.fi](mailto:info@titgemeyer.fi)  
W [titgemeyer.fi](http://titgemeyer.fi)

### Production sites

**Cirteq Limited**  
'Hayfield' Colne Road,  
Glusburn, Keighley,  
West Yorkshire, BD20 8QP

T +44 1535 633333  
E [sales@cirteq.com](mailto:sales@cirteq.com)  
W [cirteq.com](http://cirteq.com)

**Titgemeyer Tools & Automation spol s.r.o.**  
U Vodárny 1506  
397 01 Písek / CZ

T +42 382 2067 - 11  
E [info@rivetec.cz](mailto:info@rivetec.cz)  
W [rivetec.cz](http://rivetec.cz)

**RIEKO GmbH**  
Robert-Bosch-Straße 9  
72124 Pliezhausen / DE

T +49 7127 9744 - 0  
E [info@rieko-web.com](mailto:info@rieko-web.com)  
W [rieko-web.com](http://rieko-web.com)